



Tools for Chefs

HIGH POWER BLENDER

230718, 230213



You should read this user manual carefully before using the appliance.

Bevor Sie das Gerät in Betrieb nehmen, sollten Sie diese Gebrauchsanweisung aufmerksam lesen.

Alvorens de apparatuur in gebruik te nemen dient u deze gebruiksaanwijzing aandachtig te lezen.

Przed uruchomieniem urządzenia należy koniecznie dokładnie przeczytać niniejszą instrukcję obsługi.

Lisez attentivement ce mode d'emploi avant d'utiliser l'appareil .

Prima di utilizzare l'apparecchio in funzione leggere attentamente le istruzioni per l'uso.

Citiți cu atenție prezentul manual de utilizare înainte de folosirea aparatului.

Внимательно прочитайте руководство пользователя перед использованием прибора.

Πρέπει να διαβάσετε αυτές τις οδηγίες χρήσης προσεκτικά πριν χρησιμοποιήσετε τη συσκευή.



Keep these instructions with the appliance.
Diese Gebrauchsanweisung bitte beim Gerät aufbewahren.
Bewaar deze handleiding bij het apparaat.
Zachowaj instrukcję urządzenia
Gardez ces instructions avec cet appareil.
Conservate le istruzioni insieme all'apparecchio.
Pástrajte maualul de utilizare alături de aparat.
Хранить руководство вместе с устройством.
Φυλάξτε αυτές τις οδηγίες μαζί με τη συσκευή.




For indoor use only.
Nur zur Verwendung im Innenbereich.
Alleen voor gebruik binnenshuis.
Do użytku wewnątrz pomieszczeń.
Pour l'usage à l'intérieur seulement.
Destinato solo all'uso domestico.
Doar pentru uz la interior.
Использовать только в помещениях.
Για χρήση μόνο σε εσωτερικό χώρο.



Dear Customer,

Thank you for purchasing this Hendi appliance. Before using the appliance for the first time, please read this manual carefully, paying particular attention to the safety regulations outlined below.

Safety regulations

- This appliance is intended for buffet and household use.
- The appliance must only be used for the purpose for which it was intended and designed. The manufacturer is not liable for any damage caused by incorrect operation and improper use.
- Keep the appliance and electrical plug away from water and any other liquids. In the event that the appliance should fall into water, immediately remove plug from the socket and do not use until the appliance has been checked by a certified technician. Failure to follow these instructions could cause a risk to lives.
- Never attempt to open the casing of the appliance yourself.
- Do not insert any objects in the casing of the appliance.
- Do not touch the plug with wet or damp hands.
-  **Danger of electric shock!** Do not attempt to repair the appliance yourself. In case of malfunctions, repairs are to be conducted by qualified personnel only.
- **Never use a damaged appliance!** Disconnect the appliance from the electrical outlet and contact the retailer if it is damaged.
- **Warning!** Do not immerse the electrical parts of the appliance in water or other liquids. Never hold the appliance under running water.
- Regularly check the power plug and cord for any damage. If the power plug or power cord is damaged, it must be replaced by a service agent or similarly qualified persons in order to avoid danger or injury.
- Make sure the cord does not come in contact with sharp or hot objects and keep it away from open fire. To pull the plug out of the socket, always pull on the plug and not on the cord.
- Ensure that the cord (or extension cord) is positioned so that it will not cause a trip hazard.
- Always keep an eye on the appliance when in use.
- **Warning!** As long as the plug is in the socket the appliance is connected to the power source.
- Turn off the appliance before pulling the plug out of the socket.
- Never carry the appliance by the cord.
- Do not use any extra devices that are not supplied along with the appliance.
- Only connect the appliance to an electrical outlet with the voltage and frequency mentioned on the appliance label.
- Connect the power plug to an easily accessible electrical outlet so that in case of emergency the appliance can be unplugged immediately. To completely switch off the appliance pull the power plug out of the electrical outlet.

EN



- Always turn the appliance off before disconnecting the plug.
- Never use accessories other than those recommended by the manufacturer. Failure to do so could pose a safety risk to the user and could damage the appliance. Only use original parts and accessories.
- This appliance is not intended for use by persons (including children) with reduced physical, sensory or mental capabilities, or lack of experience and knowledge.
- This appliance must not be used by children under any circumstances.
- Keep the appliance and its cord out of reach of children.
- Always disconnect the appliance from the mains if it is left unattended or is not in use, and before assembly, disassembly or cleaning.
- Never leave the appliance unattended during use.

Special safety regulations

- Use the machine only as described in this manual.
- This machine should be operated and installed by specialized trained personnel in the kitchen of the food industry.
- All maintenance, installation and repair works should be performed by specialized trained authorized technicians.
- Do not place the machine on a heating object (gasoline, electric, charcoal cooker, etc.) Keep the appliance away from any hot surfaces and open flames. Always operate the machine on a level, stable, clean, heat-resistant and dry surface.
- Do not use the machine near explosive or flammable materials, credit cards, magnetic discs or radios.
- Wear protective clothing, mask, or protective glasses if necessary during operation.
- This machine is not intended to be operated by means of an external timer or separate remote-control system.
- Never bypass any safety interlocks on the machine.
- **WARNING:** Keep all ventilation openings in the appliance clear of obstruction.
- **WARNING: ALWAYS** switch off the machine and unplug from electrical power supply before cleaning, maintenance or storage.
- **WARNING! ALWAYS** keep hands, long hair and clothing away from the moving parts.
- Allow at least 20 cm spacing around the appliance for ventilation purpose during use.
- **Caution!** Securely route the power cord if necessary in order to prevent unintentional pulling or contact with the heating surface.
- Do not put hands into the jug set when the machine is in operation.
- Do not load too much ingredients in order to prevent overflow of the food products.
- **WARNING!** Do not fill above the **MAX.** mark of the jug.
- **WARNING!** Liquids to blend should be at or below room temperature. If you are going to blend warm liquids, ensure that the jug lid is correctly in place and use low speed for processing. Risk of burns and be careful.
- Do not wash the machine with water or a waterjet. Washing with water can cause leakage and increase the risk of electric shock. No parts are dishwasher safe.

- Do not clean or store the machine unless it is completely cooled down.
- Do not move the machine while it is under operation. Unplug the machine when moving the machine and hold it at the bottom.
- Do not operate the machine without ingredients to avoid overheated.
- Ensure the machine is switched OFF (0) and the speed dial in the "Low" position before removing the jug set.
- **WARNING:** Appliance may produce noise levels exceeding 85dB, wear proper protection.
- **WARNING:** Always hold the jar when starting the appliance.
- **WARNING:** Only place food in the blender, never leave utensils or transparent cap in the jar when operating the appliance.
- **WARNING:** Only use the appliance with the lid on the jar, never without.
- **WARNING:** Never use a leaking can, this will damage the motor unit.
- **WARNING:** Never use the appliance without food or liquid in the jar, this will damage the motor.
- **WARNING:** Never use the appliance for a prolonged time of 5 minutes, after 5 minutes the appliance needs to cool down for 15 minutes.

Intended use

- This appliance is intended for buffet and household use.
- The appliance is designed for blending and mixing food. Any other use may lead to damage to the appliance or personal injury.
- Operating the appliance for any other purpose shall be deemed as a misuse of the device. The user shall be solely liable for improper use of the device.

EN

Grounding installation

This appliance is classified as protection class I appliance and must be connected to a protective ground. Grounding reduces the risk of electric shock by providing an escape wire for the elec-

tric current. This appliance is equipped with a cord having a grounding wire with a grounding plug. The plug must be plugged into an outlet that is properly installed and grounded.

Preparations before using for the first time

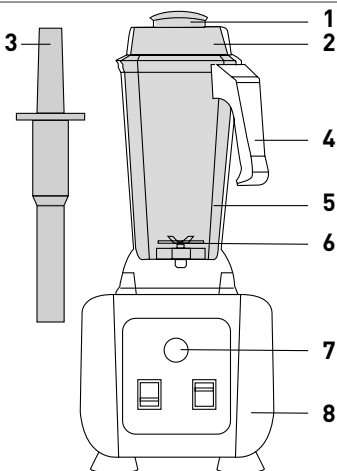
- Check to make sure the appliance is undamaged. In case of any damage, contact your supplier immediately and do NOT use the appliance.
- Remove all the packing material.
- Clean the appliance with lukewarm water with a non foaming detergent and a soft cloth. Rinse thoroughly and dry.
- Place the appliance on a level and steady surface.
- Keep a clear space of 20 cm around the appliance for ventilation purposes.
- Position the appliance in a way that the plug is accessible at all times.



Appliance and parts

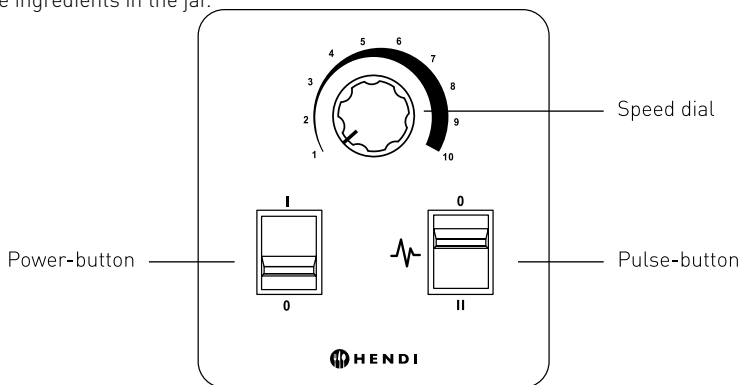
- 1) transparent cap
- 2) lid
- 3) pusher
- 4) jar handle
- 5) jar
- 6) cutting unit
- 7) control panel
- 8) motor unit

NOTE: Grey marked parts are food contact approved.



Operation

- Always stand in front of the appliance in such a way that the control panel can be easily reached.
- Check if the motor unit is switched off and unplug it.
- Place the ingredients in the jar.
- Close the lid firmly.
- Place the jar on the motor unit.
- Plug the appliance into mains.
- Switch on the motor unit.
- **NOTE:** Always start at low speed.



- The 'power'-button (left button) on the motor unit lets the appliance run continuously at the variable speed determined setting of the speed dial (center knob).
- Turn the speed dial clockwise for increasing the speed and counter clockwise for decreasing the speed.
- The 'Pulse'-button (right button) on the motor unit lets the motor run at full speed. The motor stops if the button is released.
- Switch off the motor and wait until the motor comes to a complete stop before removing the container.
- The motor will automatically shut down if the jar is removed.
- Unplug the appliance from the outlet when not in use.

WARNING: Never place the jar on a switched on motor unit. This will damage the clutch on the motor unit and on the jar. Only place the container onto the motor unit if the motor is switched off.



Cleaning and maintenance of the motor unit

- Always remove the plug from mains before cleaning the appliance.
- Beware: Never immerse the appliance in water or any other liquid!
- Clean the outside of the appliance with a damp cloth (water and a mild detergent).
- Never use aggressive cleaning agents and/or abrasives. Do not use any sharp and/or pointed objects. Do not use petrol or solvents! Clean with a damp cloth and mild detergent if necessary. Do not use abrasive materials.

Cleaning and maintenance of the jar

- Pour luke warm water and a mild non foaming detergent into the jar.
- Place the lid onto the jar.
- Place the jar on to the motor unit.
- Switch the motor unit on at full speed for 10-20 seconds.
- Switch off the motor unit.
- Remove the jar from the motor unit.
- Rinse the jar thoroughly with clean water.
- In case of residu stuck to the knife carefully clean with a small knife or tweezers. Never clean the knife with your bare hands.
- Dry the in- and outside of the jar.
- After cleaning disinfect the jar. Use the instructions of the disinfectant manufacturer.
- Store the jar upside down.
- The underside of the jar may never come into contact with any fluid!
- **WARNING:** Never disassemble parts of the jar and cutting unit.
- **WARNING:** Never clean any parts of the appliance in the dishwasher.

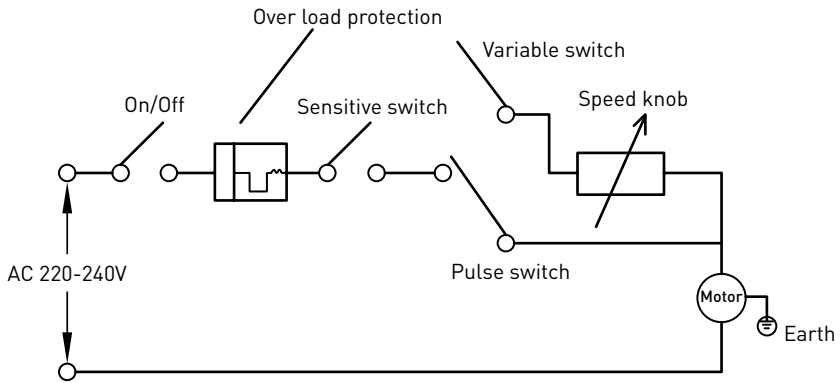
Troubleshooting

If the appliance does not function properly, please check the below table for the solution. If you are still unable to solve the problem, please contact the supplier/service provider.

Problem	Cause	Solution
Appliance doesn't work	No power	Check if the plug is connected to mains.
	Knife has been jammed	Push the reset button on the underside of the motor unit.
	Appliance overheated	Remove the plug from mains and let the appliance cool down
	The jar is not placed on the motor unit	Switch the appliance off and place the jar on the motor unit and try again
Appliance makes a strange noise	Motor worn out or jar damaged	Contact your supplier.
Appliance emits an odd smell	Motor unit burnt	Contact your supplier.
The jar leaks or is otherwise damaged	Worn out cutting unit	Contact your supplier or replace the jar with replacement set 933668.
Extreme vibrations	Worn out motor unit or jar	Contact your supplier or replace the jar with replacement set 933668.
Appliance doesn't cut evenly	The knife is damaged	Contact your supplier or replace the jar with replacement set 933668.
The appliance only works when puls switch is used	Power module is defective	Contact your supplier



Electric diagram (mechanical control models)



Technical specification

Operating voltage and frequency: 220-240V-50/60Hz

Peak power \approx 1680 W

Dimensions: 270x250x(H)550 mm

Nominal volume: 2,5 liter

Net weight: approx. 5,5 kg

Rotation speed without loading (rpm):

- Minimum: 16,000 +/- 10%

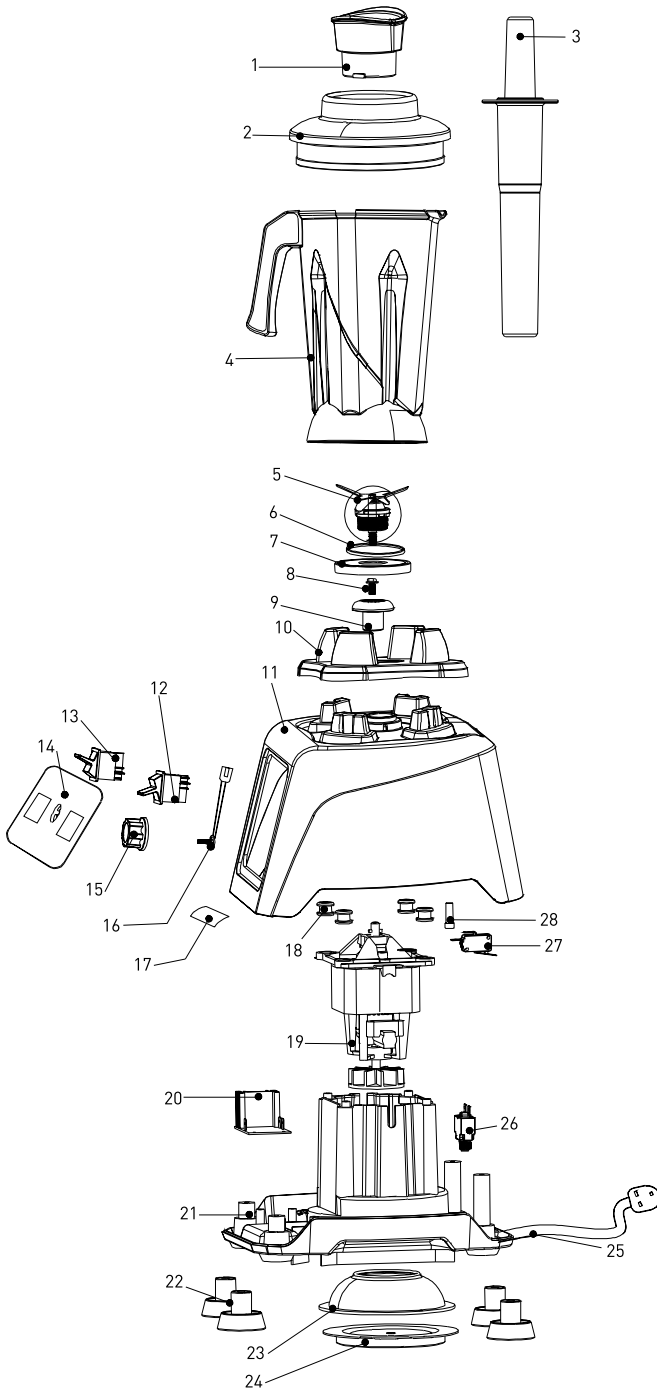
- Maximum : 24,800 +/- 10%

Noise level: >85dB

Protection class: Class I

Jar material: Tritan (230213), PC (230718)

Exploded drawing and part list



EN

Part no.	Part name	Item no.	Quantity	Remark
1	Small Lid	nss	1	Available as 933787
2	Cover set	933787	1	Contains also part no. 1
3	Pusher	933794	1	
4	2.5L jar set	933688	1	Contains also part no. 1,2,4,5,6,7
5	Knife set	933800	1	
6	Seal Ring	933817	1	
7	Fixed Plate	933824	1	
8	M4*6 Screw	nss	1	Available as 933831
9	Rotor	933831	1	Contains also part no. 8
10	Base of 2.5L Jar	933848	1	
11	Body	n/a	1	
12	Pulse Switch	917091	1	
13	On/Off Switch	917060	1	
14	Control Panel	n/a	1	
15	Knob	933893	1	
16	Potentiometer	933909	1	
17	Warning Label	n/a	1	
18	Shock protection for the motor	nss	4	
19	95*40 Motor	933916	1	Contains also part no. 18
20	PCB Board	933855	1	including sound filter PCB
21	Bottom Cover	n/a	1	
22	Plastic Feet	933862	4	Sold per piece
23	Air Deflector	n/a	1	
24	Plate of Air Deflector	n/a	1	
25	Power Cord	933923	1	
26	Over-Load Protection	933930	1	
27	Microswitch	207093	1	
28	Base of Microswitch	n/a	1	

Note:

n/a -> Not available nss -> Not sold separately

Warranty

Any defect affecting the functionality of the appliance which becomes apparent within one year after purchase will be repaired by free repair or replacement provided the appliance has been used and maintained in accordance with the instructions and has not been abused or misused in any way. Your statutory rights are not affected. If the appliance is claimed under warranty, state

where and when it was purchased and include proof of purchase (e.g. receipt).

In line with our policy of continuous product development we reserve the right to change the product, packaging and documentation specifications without notice.

Discarding & Environment

When decommissioning the appliance, the product must not be disposed of with other household waste. Instead, it is your responsibility to dispose to your waste equipment by handing it over to a designated collection point. Failure to follow this rule may be penalized in accordance with applicable regulations on waste disposal. The separate collection and recycling of your waste equipment at the time of disposal will


help conserve natural resources and ensure that it is recycled in a manner that protects human health and the environment. For more information about where you can drop off your waste for recycling, please contact your local waste collection company. The manufacturers and importers do not take responsibility for recycling, treatment and ecological disposal, either directly or through a public system.



Sehr geehrte Kundin, sehr geehrter Kunde,

wir danken Ihnen für den Kauf des Gerätes **Hendi**. Machen Sie sich bitte mit dieser Anleitung noch vor der Inbetriebnahme des Gerätes vertraut, um Schäden durch die unsachgemäße Bedienung zu vermeiden. Den Sicherheitsregeln ist besondere Aufmerksamkeit zu widmen.

Sicherheitsregeln

- Die unsachgemäße Bedienung des Geräts kann zur schweren Beschädigung des Geräts sowie zu Verletzungen führen.
- Dieses Gerät ist für den Buffet- und Haushaltsgebrauch bestimmt.
- Das Gerät ist ausschließlich zu dem Zweck zu benutzen, zu dem es hergestellt wurde. Der Hersteller haftet nicht für Schäden, die auf unsachgemäße Bedienung des Geräts zurückzuführen sind.
- Den Kontakt des Gerätes und des Steckers mit Wasser oder einer anderen Flüssigkeit vermeiden. Den Stecker unverzüglich aus dem Stecker ziehen und das Gerät von einem anerkannten Fachmann prüfen lassen, wenn das Gerät unbeabsichtigterweise ins Wasser fällt. Bei Nichteinhaltung dieser Sicherheitsvorschriften besteht Lebensgefahr.
- Nie eigenständig das Gehäuse des Gerätes zu öffnen versuchen.
- In das Gehäuse des Gerätes keine Gegenstände einführen.
- Den Stecker nicht mit nassen oder feuchten Händen berühren.
-  **Gefahr eines Stromschlags!** Das Gerät darf nicht selbstständig repariert werden. Sämtliche Mängel und Unzulänglichkeiten sind ausschließlich durch qualifiziertes Personal zu beseitigen.
- **Niemals ein beschädigtes Gerät benutzen!** Das beschädigte Gerät vom Netz trennen und sich mit dem Verkäufer in Verbindung setzen.
- **Warnung:** Die Elektroteile des Gerätes dürfen weder in Wasser noch in andere Flüssigkeiten getaucht werden. Ebenso ist das Gerät nicht unter fließendes Wasser zu halten.
- Der Stecker und die Stromversorgungsleitung sind regelmäßig auf Beschädigungen zu prüfen. Der beschädigte Stecker oder Leitung sind an eine Servicestelle oder einer anderen qualifizierten Person zur Reparatur zu übergeben, um eventuellen Gefahren und Verletzungen des Körpers vorzubeugen.
- Man muss sich davon überzeugen, ob die Stromversorgungsleitung weder mit scharfkantigen noch mit heißen Gegenständen in Berührung kommt; halten Sie die Leitung weit entfernt von einer offenen Flamme. Um den Stecker aus der Netzsteckdose zu nehmen, muss man immer am Stecker und nicht an der Leitung ziehen.
- Die Stromversorgungsleitung (oder Verlängerungsleitung) ist vor dem zufälligen Herausziehen aus der Steckdose zu schützen. Die Stromversorgungsleitung muss so geführt werden, dass niemand zufällig darüber stolpern kann.
- Das Gerät muss während seiner Anwendung ständig kontrolliert werden.
- **Warnung!** Wenn der Stecker in der Netzsteckdose ist, muss man das Gerät als an die

DE



Stromversorgung angeschlossen betrachten.

- Bevor der Stecker aus der Netzsteckdose genommen wird, ist das Gerät auszuschalten.
- Das Gerät darf beim Tragen nicht an der Leitung gehalten werden.
- Benutzen Sie kein Zubehör, das nicht mit diesem Gerät mitgeliefert wurde.
- Das Gerät muss man ausschließlich an die Steckdose mit solch einer Spannung und Frequenz anschließen, wie auf dem Typenschild angegeben wird.
- Stecken Sie den Stecker in die Steckdose, die an einem leicht und bequem zugänglichen Ort angeordnet ist, und zwar so, dass das Gerät bei einer Störung sofort abgeschaltet werden kann. Um das Gerät vollständig auszuschalten, muss man es von der Stromquelle trennen. Zu diesem Zweck muss man den Stecker, der sich am Ende der vom Gerät getrennten Leitung befindet, aus der Netzsteckdose ziehen.
- Vor dem Abtrennen des Steckers ist das Gerät auszuschalten!
- Benutzen Sie kein Zubehör, das nicht vom Hersteller empfohlen wird. Die Anwendung vom nicht empfohlenen Zubehör stellt eine Gefahr für den Nutzer dar und kann zur Beschädigung des Gerätes führen. Benutzen Sie ausschließlich Ersatzteile und Zubehör im Original.
- Dieses Gerät eignet sich nicht für den Gebrauch durch Personen (gilt auch für Kinder) mit geringerer Motorik, Sensorik oder geistiger Fähigkeit oder mangelhafter Erfahrung und Wissen.
- Auf keinen Fall darf das Bedienen des Gerätes durch Kinder zugelassen werden.
- Das Gerät mit Stromversorgungsleitung ist außerhalb der Reichweite von Kindern zu lagern.
- Ebenso muss dafür gesorgt werden, dass die Kinder das Gerät nicht zum Spielen benutzen.
- Das Gerät ist immer dann von der Stromversorgung zu trennen, wenn es ohne Aufsicht bleiben soll bzw. auch vor der Montage, Demontage und Reinigung.
- Während der Nutzung darf das Gerät nicht ohne Aufsicht gelassen werden.

DE

Besondere Sicherheitsbestimmungen

- Benutzen Sie das Gerät nur für den in diesem Handbuch beschriebenen Zweck.
- Diese Maschine muss von spezialisiertem Fachpersonal in der Küche der Lebensmittelindustrie betrieben und installiert werden.
- Alle Wartungs-, Installations- und Reparaturarbeiten müssen durch Fachpersonal ausgeführt werden.
- Platzieren Sie das Gerät nicht auf einen Heizkörper (Benzin-, Elektro- oder Kohlenkocher, usw.). Halten Sie das Gerät von jedweden heißen Oberflächen und offenen Flammen fern. Betreiben Sie das Gerät immer auf einer ebenen, stabilen, sauberen, hitzebeständigen und trockenen Oberfläche.
- Verwenden Sie das Gerät nicht in der Nähe von explosiven oder brennbaren Materialien, Kreditkarten, Magnetplatten oder Radios.
- Tragen Sie falls erforderlich während des Betriebs eine Schutzkleidung, Maske oder Schutzbrille.



- Dieses Gerät darf nicht mit einem externen Zeitgeber oder einer separaten Fernbedienung betrieben werden.
- Umgehen Sie niemals die Sicherheitsverriegelungen am Gerät.
- **WARNUNG:** Halten Sie alle Belüftungsöffnungen am Gerät frei von Hindernissen.
- **WARNUNG:** Schalten Sie das Gerät **IMMER** aus und ziehen Sie den Netzstecker aus der Steckdose, bevor Sie eine Reinigung, Wartung durchführen oder das Gerät verstauen.
- **WARNUNG!** Halten Sie Ihre Hände, lange Haare und Kleidung **IMMER** von den beweglichen Teilen entfernt.
- Sehen Sie mindestens 20 cm um das Gerät als Abstand für Belüftungszwecke während des Gebrauchs vor.
- **Vorsicht!** Sichern Sie ggf. das Netzkabel, um ein unbeabsichtigtes Ziehen oder dessen Kontakt mit der Heizfläche zu vermeiden.
- Führen Sie Ihre Hände nicht in das Kannenzubehör hinein, während das Gerät in Betrieb ist.
- Füllen Sie nicht zu viele Zutaten ein, um ein Überlaufen der Lebensmittel zu verhindern.
- **WARNUNG!** Befüllen Sie nur bis zur **MAX.**-Markierung der Kanne.
- **WARNUNG!** Flüssigkeiten, die vermengt werden sollen, müssen sich bei Raumtemperatur oder darunter befinden. Wenn Sie warme Flüssigkeiten vermengen möchten, stellen Sie sicher, dass der Deckel der Kanne korrekt vorhanden ist und verwenden Sie für die Verarbeitung eine niedrige Geschwindigkeit. Es besteht Verbrennungsgefahr, seien sie also vorsichtig.
- Reinigen Sie das Gerät nicht mit Wasser oder im Wasserstrahl. Ein Reinigen mit Wasser kann zu Undichtigkeiten führen und das Risiko eines elektrischen Schlags erhöhen. Alle Teile sind nicht spülmaschinenfest.
- Reinigen oder verstauen Sie das Gerät nicht, solange es nicht vollständig abgekühlt ist.
- Bewegen Sie das Gerät nicht, solange es in Betrieb ist. Ziehen Sie vor einem Bewegen des Gerätes den Netzstecker und halten Sie es an der Unterseite.
- Betreiben Sie das Gerät nicht ohne Zutaten, um eine Überhitzung zu vermeiden.
- Impulsbewegung bei höchster Drehzahl. Drücken Sie nach unten, um es in Betrieb nehmen zu können, Lassen Sie die Taste los, um den Betrieb zu stoppen.
- **WARNUNG:** Das Gerät kann einen Lärm erzeugen, der 85 dB überschreitet; die das Gerät bedienende Person sollte mit einer entsprechenden Sicherungseinrichtung ausgerüstet sein.
- **WARNUNG:** Beim Einschalten des Gerätes muss man immer den Mixbehälter festhalten.
- **WARNUNG:** In den Mixbehälter des Stabmixers darf man ausschließlich nur Lebensmittel einbringen; in der Mitte dürfen weder Bestecke noch andere Küchenhilfsmittel oder der durchsichtige Deckel belassen werden.

- **WARNUNG:** Ohne Deckel auf dem Mixbehälter darf das Gerät niemals benutzt werden.
- **WARNUNG:** Ebenso darf das Gerät nicht benutzt werden, wenn der Mixbehälter eine Leckstelle hat – dies kann zur Beschädigung der Motoreinheit führen.
- **WARNUNG:** Vor dem Einbringen von Lebensmitteln in fester oder flüssiger Form in den Mixbehälter, darf man das Gerät nicht in Betrieb nehmen = dies kann zu einem Motorschaden führen.
- **WARNUNG:** Benutzen Sie das Gerät niemals länger als über 5 Minuten; nach den 5 Minuten muss man das Gerät abkühlen (ca. 15 Minuten lang).

Verwendungszweck des Gerätes

- Dieses Gerät ist für den Buffet- und Haushaltsgebrauch bestimmt.
- Das Gerät ist für den Vermengen und Mischen von Lebensmitteln. Die Verwendung des Gerätes für andere Zwecke kann zu seiner Beschädigung sowie zu Körperverletzungen führen.
- Jede andere Verwendung des Gerätes gilt als nicht bestimmungsgemäß. Der Benutzer ist allein verantwortlich für die unsachgemäße Nutzung des Gerätes.

Montage der Erdung

Dieses Gerät wurde als ein Gerät der Schutzklasse I eingestuft und muss an einen Schutzleiter angeschlossen werden. Die Erdung verringert das Risiko eines elektrischen Schlags, indem ein Fluchtdraht für den elektrischen Strom bereit-

gestellt wird. Dieses Gerät ist mit einem Kabel ausgestattet, welches einen Erdungsdraht mit Erdungsstecker besitzt. Der Stecker muss in eine Steckdose gesteckt werden, die ordnungsgemäß installiert und geerdet wurde.

DE

Vorbereitung zur ersten Inbetriebnahme

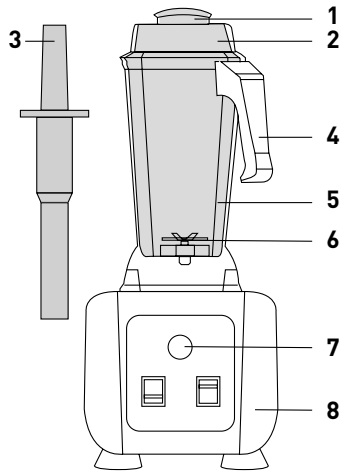
- Prüfen Sie, ob das Gerät nicht beschädigt ist. Beim Feststellen irgendwelcher Beschädigungen muss man sich sofort mit dem Lieferanten in Verbindung setzen und das Gerät NICHT in Betrieb nehmen.
- Alle Verpackungselemente sind abzunehmen.
- Das Gerät ist mit einem weichen Tuch unter Verwendung von lauwarmen Wasser mit einem nicht schäumenden Reinigungsmittel abzuwischen. Danach muss man es genau spülen und zu trocknen.
- Das Gerät ist auf einen flachen und stabilen Untergrund zu stellen.
- Überzeugen Sie sich, ob rundum für das Gerät ein Freiraum von 15 cm zwecks richtiger Belüftung belassen wurde.
- Nach dem Aufstellen des Gerätes muss ein guter Zugriff auf den Stecker gewährleistet sein.



Teile des Gerätes

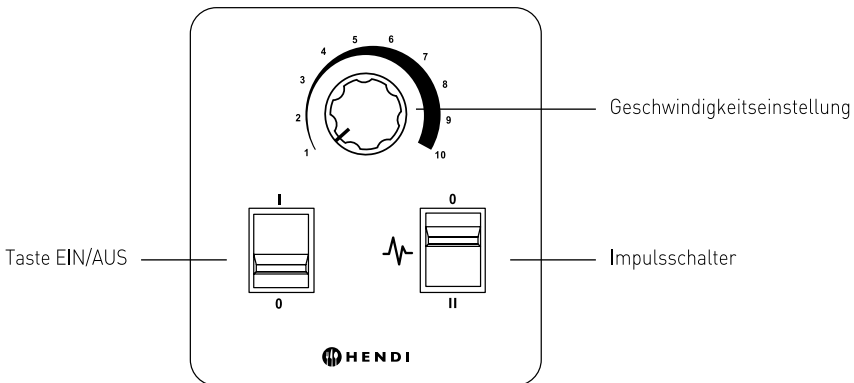
- 1) Durchsichtiger Deckel
- 2) Abdeckung
- 3) Speiseschieber
- 4) Haltegriff des Behälters
- 5) Mixbehälter
- 6) Schneiden-Satz
- 7) Steuerpanel
- 8) Motoreinheit

HINWEIS: Die mit grauer Farbe gekennzeichneten Teile des Gerätes können mit den Lebensmitteln in Berührung kommen.



Betrieb

- Das Gerät muss man vor sich aufstellen, und zwar so, dass das Steuerpanel leicht zugänglich ist.
- Stellen Sie sicher, dass die Motoreinheit ausgeschaltet wurde und ziehen Sie anschließend den Netzstecker.
- Schließen Sie jetzt das Gerät an eine Stromversorgungsquelle an.
- Den Deckel dicht verschließen.
- Den Mixbehälter auf die Motoreinheit stellen.
- Die Komponenten in den Mixbehälter einbringen.
- Die Motoreinheit einschalten.
- **HINWEIS:** Das Mixen beginnt man mit der niedrigsten Geschwindigkeit.



- Die Taste „EIN / AUS“ (links) der Motoreinheit ermöglicht den Dauerbetrieb des Gerätes mit verschiedenen Geschwindigkeiten, und zwar entsprechend der Einstellung des Regelknopfes für die Geschwindigkeit (in der Mitte).
- Dieser Drehknopf ist im Uhrzeigersinn zu drehen, um die Geschwindigkeit des Motors zu erhöhen bzw. gegen den Uhrzeigersinn, um die Geschwindigkeit zu verringern.
- Der Impulsschalter (rechts) startet den Motor mit höchsten Umdrehungen. Der Motor hält an, wenn die Taste freigegeben wird.
- Bevor man den Mixbehälter abnimmt, muss man den Motor ausschalten und abwarten, bis das Gerät den Funktionsbetrieb vollständig beendet hat.

- Nach dem Abnehmen des Mixbehälters wird der Motor automatisch angehalten.
- Wenn der Stabmixer nicht genutzt wird, muss man das Gerät auch von der Stromversorgungsquelle trennen.

WARNUNG: Wenn die Motoreinheit in Betrieb ist, darf man den Mixbehälter nicht aufsetzen. Das kann zu einer Beschädigung der Kupplung des Motors und des Mixbehälters führen. Der Mixbehälter darf nur dann auf die Motoreinheit gesetzt werden, wenn der Motor ausgeschaltet ist.

Reinigung und Wartung der Motoreinheit

- Vor dem Waschen muss man immer das Gerät aus der Steckdose ziehen.
- Hinweis: Das Gerät darf nicht in Wasser oder eine andere Flüssigkeit getaucht werden!
- Das Außengehäuse ist mit einem feuchten Tuch (verwenden Sie eine Wasserlösung mit einem milden Reinigungsmittel) abzuwaschen.
- Es dürfen keine ätzenden Reinigungsmittel und/oder Schleifmittel benutzt werden. Es dürfen weder scharfe und/oder scharfkantige Gegenstände verwendet werden. Ebenso dürfen weder Benzin noch Lösungsmittel zur Anwendung kommen! Reinigen Sie das Gerät mit einem feuchten Tuch bzw. eventuell mit einem Reinigungsmittel. Dabei sind keine Schleifmittel zu verwenden.

Reinigung und Wartung des Mixbehälters

- In den Mixbehälter lauwarmes Wasser mit einem milden, nicht schäumenden Reinigungsmittel gießen.
- Den Mixbehälter mit dem Deckel verschließen.
- Stellen Sie den Mixbehälter auf die Motoreinheit.
- Motoreinheit einschalten und für 10-20 Sekunden auf die volle Drehzahl stellen.
- Motoreinheit ausschalten.
- Den Mixbehälter von der Motoreinheit nehmen.
- Den Mixbehälter genau mit reinem Wasser ausspülen.
- Wenn sich auf dem Messersatz weiterhin Lebensmittelreste befinden, muss man die Schneiden vorsichtig mit einem kleinen Messer oder einer Pinzette reinigen. Die Schneiden dürfen nicht mit bloßen Händen gereinigt werden.
- Reinigen Sie sowohl die Innen- als auch Außenfläche des Mixbehälters.
- Nach dem Reinigen muss der Mixbehälter desinfiziert werden. Verfahren Sie dabei entsprechend den Anleitungen des Herstellers vom Desinfektionsmittel.
- Den Mixbehälter mit dem Boden nach oben lagern.
- Die Unterseite des Mixbehälters darf nicht mit irgendeiner Flüssigkeit in Berührung kommen.
- **WARNUNG:** Weder die Teile des Mixbehälters noch des Schneiden-Satzes dürfen demontiert werden.
- **WARNUNG:** Waschen Sie keine Teile des Gerätes in der Geschirrspülmaschine.



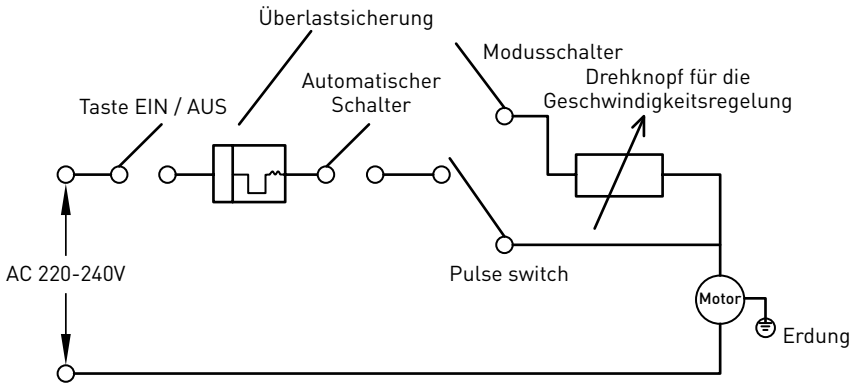
Fehlerbehebung

Sollte das Gerät nicht ordnungsgemäß funktionieren, überprüfen Sie bitte die nachfolgende Tabelle für eine Lösung. Sollten Sie das Prob-

lem noch immer nicht lösen können, wenden Sie sich bitte an den Lieferanten/Dienstleister.

Probleme	Mögliche Ursache	Mögliche Lösung
Das Gerät funktioniert nicht	Keine Stromversorgung.	Es ist zu prüfen, ob der Stecker richtig in der Steckdose steckt.
	Der Schneiden-Satz ist blockiert.	Taste Reset drücken, die sich auf der Unterseite der Motoreinheit befindet
	Es kam zum Überhitzen des Gerätes.	Stromversorgungsquelle abtrennen und bis zum völligen Abkühlen warten
	Der Mixbehälter wurde nicht auf die Motoreinheit gestellt	Gerät ausschalten, den Mixbehälter auf die Motoreinheit setzen und das Gerät erneut einschalten
Das Gerät zeigt keine standardgemäßen Geräusche	Motor ist verschlissen oder der Mixbehälter beschädigt	Mit dem Lieferanten in Verbindung setzen
Aus dem Gerät entweicht ein unangenehmer Geruch	Motor ist durchgebrannt	Mit dem Lieferanten in Verbindung setzen
Der Mixbehälter hat eine Leckstelle oder ist anderweitig beschädigt	Der Schneiden-Satz ist verschlissen	Mit dem Lieferanten in Verbindung setzen oder den Mixbehälter austauschen (Ersatzteilsatz Nr. 933668)
Das Gerät vibriert stark	Verschlissener Motor oder beschädigter Mixbehälter	Mit dem Lieferanten in Verbindung setzen oder den Mixbehälter austauschen (Ersatzteilsatz Nr. 933668)
Das Gerät zerkleinert die Lebensmittel nicht gleichmäßig	Beschädigte Schneiden	Mit dem Lieferanten in Verbindung setzen oder den Mixbehälter austauschen (Ersatzteilsatz Nr. 933668)
Das Gerät kann nur unter Verwendung des Impulsschalters in Betrieb genommen werden	Stromversorgungsmodul beschädigt	Mit dem Lieferanten in Verbindung setzen

Schaltplan (Modell der mechanischen Steuerung)



Technische Spezifikation

Spannung der Stromversorgung: 220-240V~
50/60Hz

Spitzenleistung: bis zu 1680 W

Abmessungen: 270x250x(Höhe)550 mm

Nennkapazität: 2,5 Liter

Nettogewicht: ca. 5,5 kg

Umdrehungsdrehzahl ohne Belastung (U/min):

- Minimum: 16,000 +/- 10%

- Maximum : 24,800 +/- 10%

Lärmpegel: >85dB

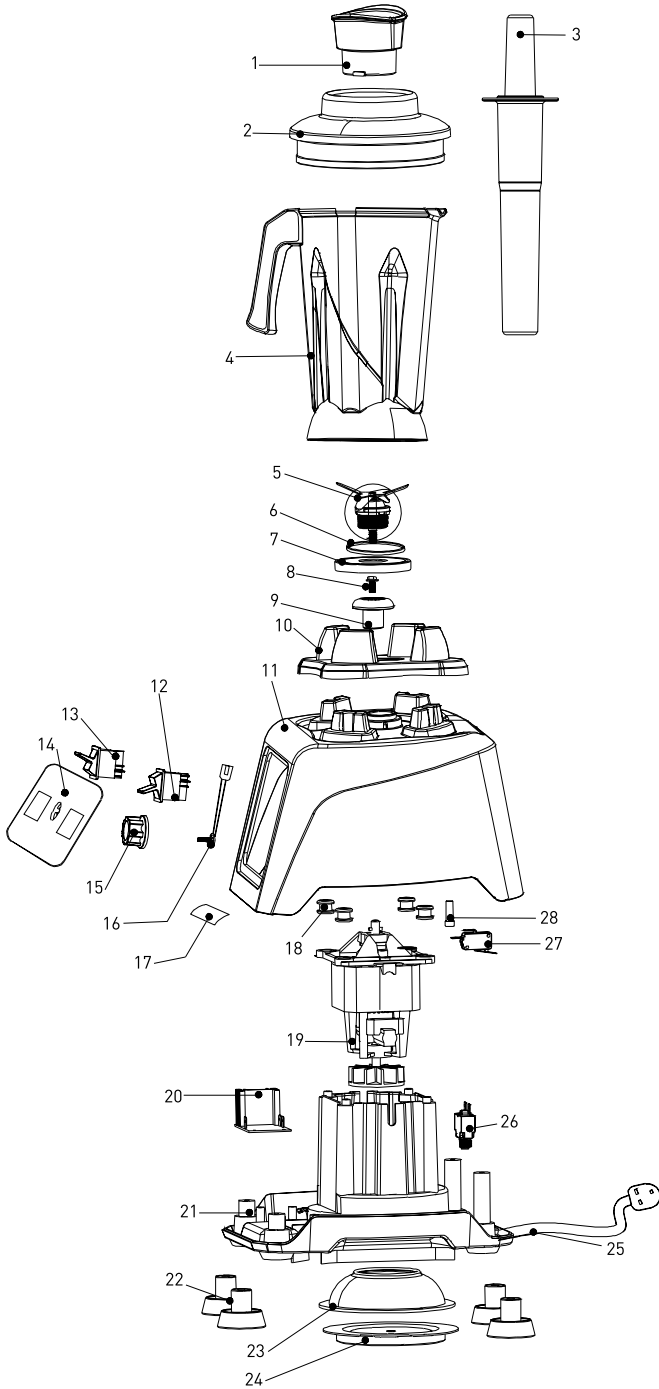
Schutzklasse: Klasse I

Behältermaterial: Tritan (230213), Polykarbonat (230718)

DE



Explosionszeichnung und Teilleiste



DE



Zeichnungsnr.	Bezeichnung	Ersatzteilnummer	Anzahl	Hinweis
1	Kleiner Deckel	nss	1	Vorrätig als 933787
2	Deckelsatz	933787	1	Enthält 1
3	Pressvorrichtung	933794	1	
4	Mixbecher 2,5 l	933688	1	Enthält 1,2,4,5,6,7
5	Messersatz	933800	1	
6	Dichtungsring	933817	1	
7	Stammplatte	933824	1	
8	Schraube M4*6	nss	1	Vorrätig in 933831
9	Rotor	933831	1	Enthält 8
10	Mixbecher-Aufsatz 2,5 l	933848	1	
11	Gehäuse	n/a	1	
12	Pulsschalter	917091	1	
13	Ein-/Ausschalter	917060	1	
14	Motorkontrollfeld	n/a	1	
15	Drehknopf	933893	1	
16	Potentiometer	933909	1	
17	Warnaufkleber	n/a	1	
18	Vibrationsschutz des Motors	nss	4	
19	Motor 95*40	933916	1	Enthält 18
20	Leiterplatte	933855	1	Besitzt einen Entstörungsfilter PCB
21	unterer Aufsatz	n/a	1	
22	Kunststofffüße	933862	4	wird stückweise verkauft
23	Luftumlenkhaube	n/a	1	
24	Platte der Luftumlenkhaube	n/a	1	
25	Netzkabel	933923	1	
26	Überlastungsschutz	933930	1	
27	Mikroschalter	207093	1	
28	Mikroschalter-Unterteil	n/a	1	

Hinweis:

n/a -> nicht zugänglich nss -> nicht erhältlich im Verkauf als eigenständiges Element



Garantie

Alle innerhalb von einem Jahr nach dem Kaufdatum festgestellten Defekte oder Mängel, die die Funktionalität des Gerätes beeinträchtigen, werden auf dem Wege der unentgeltlichen Reparatur bzw. des Austausches unter der Voraussetzung beseitigt, dass das Gerät in einer der Bedienungsanleitung gemäßen Art und Weise betrieben und gewartet wird und weder vorsätzlich vernichtet noch nicht bestimmungsgemäß genutzt wurde. Ihre Rechte aus den entsprechenden Gesetzen bleiben davon unberührt.

Eine in der Garantiefrist einzureichende Beanstandung hat die Angabe des Kaufortes und Kaufdatums und in der Anlage einen Kaufbeleg (z.B. Kassenzettel) zu enthalten.

Gemäß unserer Politik der ständigen Weiterentwicklung unserer Produkte behalten wir uns vor, Änderungen am Produkt, an seiner Verpackung und an den dokumentierten technischen Daten ohne vorherige Ankündigung vorzunehmen.

Entsorgung und Umweltschutz

Wird das Gerät außer Betrieb genommen, darf es nicht über den Hausmüll entsorgt werden. Der Benutzer ist für die Übergabe des Gerätes an eine geeignete Sammelstelle für Altgeräte verantwortlich. Die Nichteinhaltung dieser Regel kann gemäß den geltenden Vorschriften über die Abfallentsorgung bestraft werden. Die getrennte Sammlung und das Recycling der Altgeräte trägt zur Schonung der natürlichen Ressourcen

bei und sorgt für eine umwelt- und gesundheitschonende Verwertungsweise. Weitere Informationen darüber, wo Sie Ihre Altgeräte entsorgen können, erhalten Sie bei Ihrem örtlichen Entsorgungsunternehmen. Der Hersteller und der Importeur übernehmen keine Verantwortung für das Recycling sowie die umweltfreundliche Verwertung von Abfällen, weder direkt noch über ein öffentliches System.

Geachte klant,

Hartelijk dank voor de aankoop van dit Hendi apparaat. Leest u deze gebruiksaanwijzing zorgvuldig voordat u het apparaat gebruikt, dit om schade door verkeerd gebruik te voorkomen. Lees vooral de veiligheidsinstructies aandachtig door.

Veiligheidsinstructies

- Onjuiste bediening en verkeerd gebruik van het apparaat kan ernstige schade aan het apparaat en verwonding van personen tot gevolg hebben.
- Dit apparaat is bedoeld voor buffet en huishoudelijk gebruik.
- Het apparaat mag alleen worden gebruikt voor het doel waarvoor het werd ontworpen. De fabrikant aanvaardt geen enkele aansprakelijkheid voor schade als gevolg van onjuiste bediening en verkeerd gebruik.
- Zorg dat het apparaat en de stekker niet met water of een andere vloeistof in aanraking komen. Mocht het apparaat onverhoopt in het water vallen, trek dan onmiddellijk de stekker uit het stopcontact en laat het apparaat controleren door een erkend vakman. Niet-naleving hiervan kan levensgevaar opleveren.
- Probeer nooit zelf de behuizing van het apparaat te openen.
- Steek geen voorwerpen in de behuizing van het apparaat.
- Raak de stekker niet met natte of vochtige handen aan.
- ⚠ **Gevaar van elektrische schokken!** Probeer het apparaat niet zelf te repareren. In het geval van storingen, laat reparaties alleen uitvoeren door gekwalificeerd personeel.
- **Gebruik nooit een beschadigd apparaat!** Als het apparaat is beschadigd, haal de stekker dan uit het stopcontact en neem contact op met de winkel.
- **Waarschuwing!** Dompel de elektrische onderdelen van het apparaat niet onder in water of andere vloeistoffen. Houd het apparaat nooit onder stromend water.
- Controleer de stekker en het netsnoer regelmatig op schade. Als de stekker of het netsnoer is beschadigd, moet het worden vervangen door de technische dienst of een soortgelijk gekwalificeerd persoon om gevaar of letsel te voorkomen.
- Zorg ervoor dat het netsnoer niet in contact komt met scherpe of hete voorwerpen en houd het uit de buurt van open vuur. Als u de stekker uit het stopcontact wilt halen, trek dan altijd aan de stekker en niet aan het netsnoer.
- Zorg ervoor dat niemand per ongeluk aan het netsnoer (of verlengsnoer) kan trekken of kan struikelen over het netsnoer.
- Houd het apparaat in de gaten tijdens gebruik.
- **Waarschuwing!** Zolang de stekker in het stopcontact zit, is het apparaat aangesloten op de voedingsbron.
- Schakel het apparaat uit voordat u de stekker uit het stopcontact trekt.
- Draag het apparaat nooit aan het netsnoer.
- Gebruik geen extra hulpmiddelen die niet worden meegeleverd met het apparaat.
- Sluit het apparaat alleen aan op een stopcontact met de spanning en frequentie die is vermeld op het typeplaatje.

NL



- Sluit de stekker aan op een stopcontact dat eenvoudig bereikt kan worden, zodat de stekker in geval van nood onmiddellijk uit het stopcontact kan worden getrokken. Trek de stekker volledig uit het stopcontact om het apparaat volledig uit te schakelen. Gebruik de stekker om het apparaat los te koppelen van het lichtnet.
- Schakel het apparaat altijd uit voordat u de stekker uit het stopcontact trekt.
- Gebruik nooit accessoires die niet worden aanbevolen door de fabrikant. Zij kunnen mogelijk een veiligheidsrisico vormen voor de gebruiker en kunnen het apparaat mogelijk beschadigen. Gebruik alleen originele onderdelen en accessoires.
- Dit apparaat is niet geschikt voor gebruik door personen (inclusief kinderen) met een verminderd fysiek, sensorisch of geestelijk vermogen, of gebrek aan ervaring en kennis.
- Dit apparaat mag onder geen enkele omstandigheid worden gebruikt door kinderen.
- Houd het apparaat en het netsnoer buiten bereik van kinderen.
- Kinderen mogen niet met het apparaat spelen.
- Koppel het apparaat altijd los van het lichtnet als het onbeheerd wordt achtergelaten en voordat het apparaat wordt gemonteerd, gedemonteerd of gereinigd.
- Laat het apparaat nooit onbeheerd achter tijdens gebruik.

Speciale veiligheidsvoorschriften

- Gebruik de machine alleen zoals in deze handleiding is beschreven.
- Deze machine moet door gespecialiseerd, opgeleid personeel worden bediend en geïnstalleerd in keukens in de voedingsmiddelenindustrie.
- Alle onderhouds-, installatie- en reparatiewerkzaamheden moeten worden uitgevoerd door gespecialiseerde, opgeleide en bevoegde monteurs.
- Plaats de machine niet op verwarmingsapparaten (kookplaat op benzine, elektriciteit, houtskool enz.). Houd het apparaat uit de buurt van enige hete oppervlakken en open vuur. Gebruik de machine altijd op een vlakke, stabiele, schone, hittebestendige en droge ondergrond.
- Gebruik de machine niet in de buurt van explosieve of brandbare materialen, creditcards, magnetische schijven of radio's.
- Draag tijdens het bedienen indien nodig beschermende kleding, een masker of veiligheidsbril.
- Deze machine is niet bestemd om te worden bediend door middel van een externe timer of afzonderlijk afstandsbediend systeem.
- Overbrug nooit enige veiligheidsvergrendelingen op de machine.
- **WAARSCHUWING:** Houd alle ventilatieopeningen in het apparaat vrij van belemmeringen.
- **WAARSCHUWING:** Schakel de machine voor reinigen, onderhoud of opslag **ALTIJD** uit en haal de stekker uit het stopcontact.
- **WAARSCHUWING!** Houd **ALTIJD** uw handen, lang haar en kleding uit de buurt van de bewegende onderdelen.
- Laat tijdens het gebruik ten minste 20 cm ruimte om het apparaat vrij voor ventilatiedoelinden.

- **Voorzichtig!** Voer indien nodig het netsnoer op veilige wijze, om te voorkomen dat er onbedoeld aan wordt getrokken of het in contact komt met verwarmingsoppervlakken.
- Steek geen handen in de kansen wanneer de machine in bedrijf is.
- Doe niet teveel ingrediënten in de kan om het overlopen van voedingsmiddelen te voorkomen.
- **WAARSCHUWING!** Vul de kan niet boven de markering **MAX**.
- **WAARSCHUWING!** Te blenden vloeistoffen moeten op of onder kamertemperatuur zijn. Als u warme vloeistoffen wilt blenden, zorg er dan voor dat de deksel van de kan goed is geplaatst en gebruik de lage snelheid voor het verwerken. Risico op brandwonden, dus wees voorzichtig.
- Was de machine niet af met water of een waterstraal. Het afwassen met water kan lekkages veroorzaken en het risico op elektrische schokken verhogen. De onderdelen zijn niet vaatwasserbestendig.
- Laat de machine volledig afkoelen voordat u deze reinigt of opbergt.
- Verplaats de machine niet als deze in bedrijf is. Haal de stekker van de machine uit het stopcontact wanneer u de machine verplaatst en houd hem aan de onderkant beet.
- Gebruik de machine niet zonder ingrediënten om oververhitting te vermijden.
- Zorg ervoor dat de machine is uitgeschakeld (0) en de draaiknop voor de snelheid in de stand "laag" staat voordat u de kansen verwijdert
- **WAARSCHUWING:** Het apparaat kan geluidsniveaus hoger dan 85dB produceren, draag goede bescherming.
- **WAARSCHUWING:** Houd de kan altijd vast wanneer u het apparaat start.
- **WAARSCHUWING:** Plaats alleen voedsel in de blender, zorg ervoor dat er nooit keukengerei of de transparante dop in de kan zit als u het apparaat gebruikt.
- **WAARSCHUWING:** Gebruik het apparaat alleen met het deksel op de kan, gebruik nooit zonder deksel.
- **WAARSCHUWING:** Gebruik nooit een lekkende kan, dit leidt tot schade aan de motoreenheid.
- **WAARSCHUWING:** Gebruik het apparaat nooit zonder voedsel of vloeistof in de kan, dit leidt tot schade aan de motor.
- **WAARSCHUWING:** Gebruik het apparaat nooit langer dan 5 minuten. Nadat het apparaat 5 minuten is gebruikt, moet het 15 minuten afkoelen.

Beoogd gebruik

- Dit apparaat is bedoeld voor buffet en huishoudelijk gebruik.
- Dit apparaat is ontworpen voor het blenden en mengen van voedingsmiddelen. Elk ander gebruik kan leiden tot schade aan het apparaat of lichamelijk letsel.
- Gebruik van het apparaat voor andere doeleinden wordt beschouwd als verkeerd gebruik van het apparaat. De gebruiker is volledig aansprakelijk voor alle risico's die voortvloeien uit verkeerd gebruik van het apparaat.



Installatie met aarding

Dit apparaat is geclassificeerd als beschermingsklasse I en moet worden aangesloten op een aansluiting met aarde. Aarding verlaagt de kans op elektrische schokken doordat elektrische stroom via een ontsnapingsdraad kan

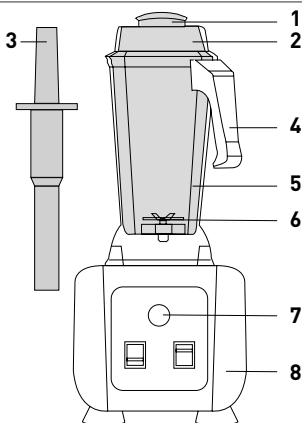
weglopen. Dit apparaat is uitgerust met een snoer met een aardedraad en een gearde stekker. De stekker moet in een stopcontact worden gestoken dat juist is geïnstalleerd en geaard.

Vorbereidingen voor het eerste gebruik

- Controleer of het apparaat onbeschadigd is geleverd. Neem in geval van schade onmiddellijk contact op met uw leverancier en gebruik het apparaat NIET.
- Verwijder alle verpakkingsmaterialen.
- Reinig het apparaat met lauw water, een niet-schuimend reinigingsmiddel en een zachte doek. Spoel grondig en droog.
- Plaats het apparaat op een vlakke en stabiele ondergrond.
- Houd een ruimte van 20 cm rond het apparaat vrij voor ventilatie.
- Plaats het apparaat zodanig dat de stekker te allen tijde bereikbaar is.

Apparaat en onderdelen

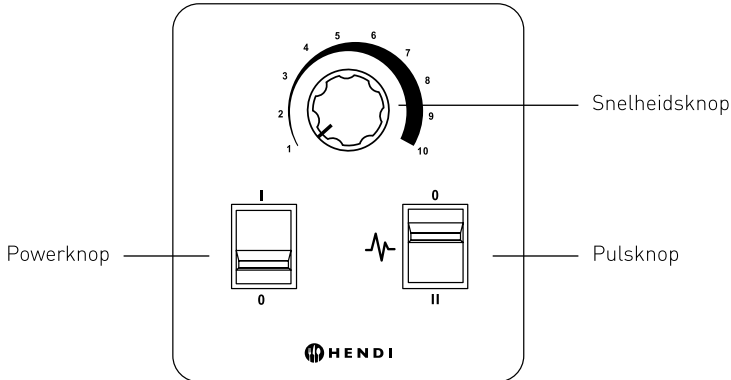
- 1) Transparante dop
- 2) Deksel
- 3) Aandrukdeel
- 4) Handvat mengkom
- 5) Kan
- 6) Snijeenheid
- 7) Bedieningspaneel
- 8) Motoreenheid



OPMERKING: De grijs gemarkeerde onderdelen zijn goedgekeurd om met voedsel in aanraking te komen.

Bediening

- Sta altijd voor het apparaat, zodat het bedieningspaneel eenvoudig kan worden bereikt.
- Controleer of de motor uitgezet is en ontkoppel het.
- Plaats de ingrediënten in de kan.
- Sluit het deksel goed.
- Plaats de kan op de motoreenheid.
- Steek de stekker in het stopcontact.
- Schakel de motoreenheid in.
- **OPMERKING:** Start altijd met lage snelheid.



- De powerknop (linkerknop) op de motoreenheid zorgt ervoor dat het apparaat continu werkt met de snelheid die is ingesteld met de snelheidsknop (middelste knop).
- Draai de snelheidsknop met de klok mee om de snelheid te verhogen en tegen de klok in om de snelheid te verlagen.
- De pulsknop (rechterknop) op de motoreenheid zorgt ervoor dat de motor op volle snelheid werkt. De motor stopt als de knop wordt losgelaten.
- Schakel de motor uit en wacht tot de motor volledig is gestopt voordat u de container van het apparaat haalt.
- De motor schakelt automatisch uit als de kan van het apparaat wordt gehaald.
- Trek de stekker uit het stopcontact als het apparaat niet wordt gebruikt.

WAARSCHUWING: Plaats de kan nooit op de motoreenheid als de motoreenheid is ingeschakeld. Dit beschadigt de koppeling op de motoreenheid en de kan. Plaats de kan alleen op de motoreenheid als de motoreenheid is uitgeschakeld.

Reiniging en onderhoud van de motoreenheid

- Trek de stekker altijd uit het stopcontact alvorens het apparaat te reinigen.
- Let op: Dompel het apparaat nooit onder in water of andere vloeistoffen!
- Reinig de buitenkant van het apparaat met een vochtige doek (water en een mild reinigingsmiddel).
- Gebruik nooit agressieve reinigingsmiddelen en/of schuurmiddelen. Gebruik geen scherpe en/of spitse voorwerpen. Gebruik geen benzine of oplosmiddelen! Reinig indien nodig met een vochtige doek en een mild reinigingsmiddel. Gebruik geen schurende materialen.



Reiniging en onderhoud van de kan

- Giet lauw water en een mild, niet-schuimend reinigingsmiddel in de kan.
- Plaats het deksel op de kan.
- Plaats de kan op de motoreenheid.
- Schakel de motoreenheid in op volle snelheid voor 10-20 seconden.
- Schakel de motoreenheid uit.
- Verwijder de kan van de motoreenheid.
- Spoel de kan grondig met schoon water.
- Als er voedselresten op het mes plakken, reinig dan voorzichtig met een klein mes of pinset. Reinig het mes nooit met uw blote handen.
- Droog de binnen- en buitenkant van de kan.
- Desinfecteer de kan na het reinigen. Gebruik de instructies van de fabrikant van het desinfectiemiddel.
- Bewaar de kan ondersteboven.
- De onderkant van de kan mag nooit in contact komen met vloeistof!
- **WAARSCHUWING:** Demonteer de onderdelen van de kan en de snijeenheid nooit.
- **WAARSCHUWING:** Reinig de onderdelen van het apparaat nooit in de vaatwasser.

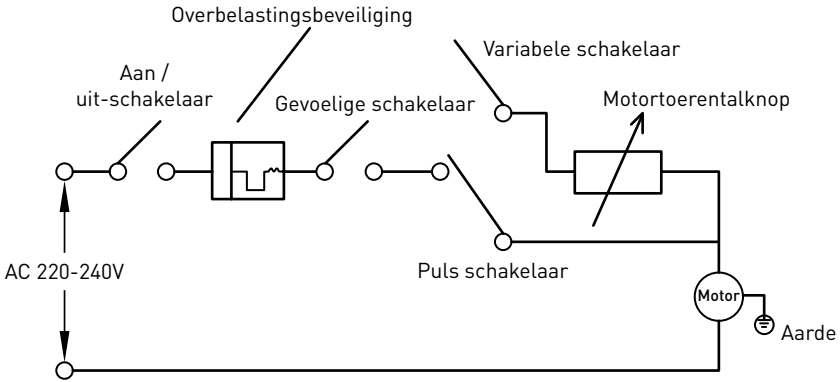
Probleemoplossing

Als het apparaat niet goed werkt, controleer dan onderstaande tabel voor de oplossing. Als u het probleem nog steeds niet kunt oplossen, neem

dan contact op met de leverancier/dienstverlener.

Problemen	Mogelijke oorzaak	Mogelijke oplossing
Apparaat werkt niet	Geen stroom	Controleer of de stekker in het stopcontact zit.
	Mes is vastgelopen	Druk op de resetknop op de onderkant van de motoreenheid.
	Apparaat is oververhit	Trek de stekker uit het stopcontact en laat het apparaat afkoelen
	De kan is niet op de motoreenheid geplaatst	Schakel het apparaat uit, plaats de kan op de motoreenheid en probeer het nogmaals
Apparaat maakt een vreemd geluid	Motor versleten of kan beschadigd	Neem contact op met uw leverancier
Apparaat geeft vreemde geur af	Motoreenheid doorgebrand	Neem contact op met uw leverancier.
De kan lekt of is anderszins beschadigd	Versleten snijeenheid	Neem contact op met uw leverancier of vervang de kan met vervangingsset 933668.
Extreme trillingen	Versleten motoreenheid of kan	Neem contact op met uw leverancier of vervang de kan met vervangingsset 933668.
Apparaat snijdt niet gelijkmatig	Het mes is beschadigd	Neem contact op met uw leverancier of vervang de kan met vervangingsset 933668.
Het apparaat werkt alleen als de pulsknop wordt gebruikt	Vermogensmodule is defect	Neem contact op met uw leverancier

Elektrisch schema (mechanische besturingsmodellen)



Technische Specificatie

Bedrijfsspanning en frequentie: 220-240V-50/60Hz

Piekvermogen \approx 1680 W

Afmetingen: 270x250x(H)550 mm

Nominaal volume: 2,5 liter

Nettogewicht: ong. 5,5 kg

Onbelast toerental (tpm):

- Minimaal: 16,000 +/- 10%

- Maximaal: 24,800 +/- 10%

Geluidsniveau: > 85dB

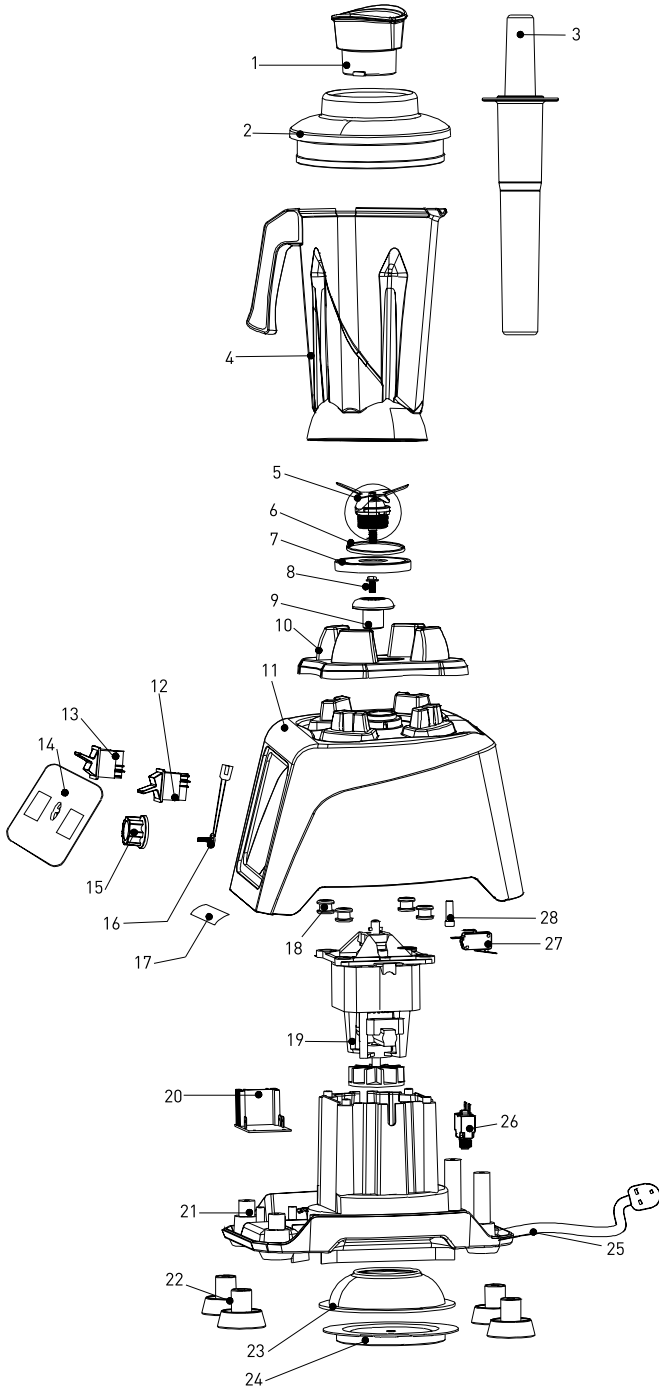
Beschermingsklasse: Klasse I

Materiaal kan: Tritan (230213), PC (230718)

NL



Opengewerkte tekening en onderdelenlijst



NL



DWG#	Omschrijving	vervangend onderdeel artikelnummer	Aantal	Opmerking
1	Kleine deksel	nss	1	Verkrijgbaar als 933787
2	Deksel Set	933787	1	inclusief item 1
3	Stamper	933794	1	
4	Kan set	933688	1	inclusief item 1,2,4,5,6,7
5	Messenset	933800	1	
6	Afdichtring	933817	1	
7	Vaste plaat	933824	1	
8	M4*6 Schroef	nss	1	Verkrijgbaar in 933831
9	Rotor	933831	1	inclusief item 8
10	Voet van 2.5L kan	933848	1	
11	Body	n/a	1	
12	Pulse schakelaar	917091	1	
13	Aan / uit-schakelaar	917060	1	
14	Bedieningspaneel	n/a	1	
15	Draaiknop	933893	1	
16	Potentiometer	933909	1	
17	Waarschuwingsetiket	n/a	1	
18	Schokbescherming voor motor	nss	4	
19	95*40 motor	933916	1	inclusief item 18
20	Printplaat	933855	1	Inclusief geluidsfilter pcb
21	Beschermplaat onderzijde	n/a	1	
22	Plastic voeten	933862	4	Te koop per stuk
23	Lucht deflector	n/a	1	
24	Plaat van lucht deflector	n/a	1	
25	Netsnoer	933923	1	
26	Over-Load bescherming	933930	1	
27	Microschakelaar	207093	1	
28	Bevestiging van microschakelaar	n/a	1	

Opmerking:

n/a -> Niet verkrijgbaar nss -> Niet los verkrijgbaar

Garantie

Elk defect waardoor de werking van het apparaat nadelig wordt beïnvloed dat zich binnen één jaar na aankoop van het apparaat voordoet, wordt gratis hersteld door reparatie of vervanging, mits het apparaat conform de instructies is gebruikt en onderhouden en niet op enigerlei wijze verkeerd is behandeld of misbruikt. Dit laat onverlet uw bij wet bepaalde rechten. Als de garantie van kracht is, vermeld dan waar en wan-

neer u het apparaat hebt gekocht en sluit een aankoopbewijs bij (bijv. kassabon of factuur).

Gezien ons streven naar voortdurende verdere productontwikkeling behouden wij ons het recht voor, zonder voorafgaande kennisgeving wijzigingen aan te brengen aan product, verpakking en documentatie.



Verwijdering & milieu


Bij de buitengebruikstelling van het apparaat, mag het niet met het overige huisafval worden verwijderd. In plaats daarvan is het uw verantwoordelijkheid om uw afgedankte apparatuur in te leveren bij een daartoe aangewezen inzamelpunt. Het niet opvolgen van deze regel kan worden bestraft in overeenstemming met de geldende voorschriften voor afvalverwerking. De gescheiden inzameling en recycling van uw afgedankte apparatuur ten tijde van buitengebruikstelling helpt bij de instandhouding van

natuurlijke hulpbronnen en waarborgt dat de apparatuur wordt gerecycled op een manier die de volksgezondheid en het milieu beschermt. Voor meer informatie over waar u uw afval kunt inleveren voor recycling kunt u contact opnemen met uw lokale afvalverwerkingsbedrijf. De fabrikant en importeurs nemen geen verantwoordelijkheid voor de recycling, behandeling en ecologische verwijdering, hetzij rechtstreeks of via een openbaar systeem.

Szanowny Kliencie,

Dziękujemy za zakup urządzenia firmy Hendi. Prosimy o uważne zapoznanie się z niniejszą instrukcją przed podłączeniem urządzenia, aby uniknąć uszkodzeń spowodowanych niewłaściwą obsługą. Należy zwrócić szczególną uwagę na zasady bezpieczeństwa.

Zasady bezpieczeństwa

- Nieprawidłowa obsługa i niewłaściwe użytkowanie mogą spowodować poważne uszkodzenie urządzenia lub zranienie osób.
- Urządzenie przeznaczone do bufetu oraz do użytku domowego.
- Urządzenie należy stosować wyłącznie zgodnie z przeznaczeniem. Producent nie ponosi żadnej odpowiedzialności za szkody spowodowane nieprawidłową obsługą i niewłaściwym użytkowaniem urządzenia.
- W czasie użytkowania zabezpiecz urządzenie i wtyczkę kabla zasilającego przed kontaktem z wodą lub innymi płynami. W mało prawdopodobnym przypadku zanurzenia urządzenia w wodzie, należy natychmiast wyciągnąć wtyczkę z kontaktu, a następnie zlecić kontrolę urządzenia specjalście. Nieprzestrzeganie tej instrukcji może spowodować zagrożenie życia.
- Nigdy nie otwieraj samodzielnie obudowy urządzenia.
- Nie wtykaj żadnych przedmiotów w obudowę urządzenia.
- Nie dotykaj wtyczki kabla zasilającego wilgotnymi rękami.
-  **Niebezpieczeństwo porażenia prądem!** Nie należy samodzielnie naprawiać urządzenia. Wszelkie usterki i niesprawności winny być usuwane wyłącznie przez wykwalifikowany personel.
- **Nigdy nie używać uszkodzonego urządzenia!** Uszkodzone urządzenie należy odłączyć od sieci i skontaktować się ze sprzedawcą.
- **Ostrzeżenie:** Nie zanurzać części elektrycznych urządzenia w wodzie ani w innych płynach. Nie wkładać urządzenia pod bieżącą wodę.
- Regularnie sprawdzać wtyczkę i sznur zasilający pod kątem uszkodzeń. Uszkodzoną wtyczkę lub sznur przekazać w celu naprawy do punktu serwisowego lub innej wykwalifikowanej osoby, aby zapobiec ewentualnym zagrożeniom i obrażeniom ciała.
- Upewnić się, czy sznur zasilający nie styka się z ostrymi ani gorącymi przedmiotami; trzymać sznur z dala od otwartego płomienia. Aby wyjąć wtyczkę z gniazdka, zawsze ciągnąć za wtyczkę, a nie za sznur.
- Zabezpieczyć sznur zasilający (lub przedłużający) przez przypadkowym wyciągnięciem z kontaktu. Sznur prowadzić w sposób uniemożliwiający przypadkowe potknięcie.
- Stałe nadzorować urządzenie podczas użytkowania.
- **Ostrzeżenie!** Jeżeli wtyczka jest włożona do gniazdka, urządzenie należy uważać za podłączone do zasilania.
- Przed wyjęciem wtyczki z gniazdka wyłączyć urządzenie!
- Nigdy nie przenosić urządzenia, trzymając za sznur.
- Nie używać żadnych akcesoriów, które nie zostały dostarczone wraz z urządzeniem.

PL



- Urządzenie należy podłączać wyłącznie do gniazdka o napięciu i częstotliwości podanych na tabliczce znamionowej.
- Włożyć wtyczkę do gniazdka zlokalizowanego w dogodnym i łatwo dostępnym miejscu, tak by w przypadku awarii istniała możliwość natychmiastowego odłączenia urządzenia. W celu całkowitego wyłączenia urządzenia odłączyć je od źródła zasilania. W tym celu wyjąć z gniazdka wtyczkę znajdującą się na końcu sznura odłączanego urządzenia.
- Przed odłączeniem wtyczki zawsze pamiętać o wyłączeniu urządzenia!
- Nie korzystać z akcesoriów niezalecanych przez producenta. Zastosowanie niezalecanych akcesoriów może stwarzać zagrożenie dla użytkownika oraz prowadzić do uszkodzenia urządzenia. Korzystać wyłącznie z oryginalnych części i akcesoriów.
- Z urządzenia nie mogą korzystać osoby (także dzieci), u których stwierdzono osłabione zdolności fizyczne, sensoryczne lub umysłowe, albo którym brakuje odpowiedniej wiedzy i doświadczenia.
- W żadnym wypadku nie zezwalać na obsługę urządzenia przez dzieci.
- Urządzenie wraz ze sznurem przechowywać poza zasięgiem dzieci.
- Nie dopuścić, by dzieci wykorzystywały urządzenie do zabawy.
- Zawsze odłączyć urządzenie od zasilania, jeżeli ma być ono pozostawione bez nadzoru, a także przed montażem, demontażem i czyszczeniem.
- Nie zostawiać urządzenia bez nadzoru podczas użytkowania.

Specjalne przepisy bezpieczeństwa

- Urządzenia należy używać zgodnie z instrukcją.
- Urządzenie powinno być obsługiwane i instalowane przez przeszkolony personel w kuchni lokalu gastronomicznego.
- Wszelkie prace konserwacyjne, instalacyjne i naprawcze powinni wykonywać przeszkoleni i upoważnieni specjaliści.
- Nie umieszczać urządzenia na urządzeniu grzewczym (kuchence gazowej, elektrycznej, węglowej itd.). Trzymać urządzenie z dala od gorących powierzchni i otwartego ognia. Zawsze używać urządzenia na równej, stabilnej, czystej, odpornej na wysoką temperaturę i suchej powierzchni.
- Nie używać urządzenia w pobliżu materiałów wybuchowych lub łatwopalnych, kart kredytowych, dysków magnetycznych ani odbiorników radiowych.
- W razie potrzeby podczas korzystania z urządzenia nosić odzież, maskę i okulary ochronne.
- Tego urządzenia nie należy obsługiwać zewnętrznym czasomierzem ani oddzielnym systemem zdalnego sterowania.
- Nigdy nie omijać żadnych blokad bezpieczeństwa urządzenia.
- **OSTRZEŻENIE:** Wszystkie otwory wentylacyjne na obudowie urządzenia muszą być odstonięte.

- **OSTRZEŻENIE:** Przed czyszczeniem, wykonywaniem prac konserwacyjnych i umieszczeniem w miejscu przechowywania ZAWSZE wyłączyć urządzenie i odłączyć od gniazda sieci elektrycznej.
- **OSTRZEŻENIE:** Dłonie, długie włosy i ubranie ZAWSZE powinny znajdować się z dala od ruchomych części urządzenia.
- Wokół urządzenia powinno znajdować się przynajmniej 20 cm wolnej przestrzeni w celu wentylacji.
- **Środek ostrożności!** W razie potrzeby bezpiecznie utożyc przewód zasilający, aby uniknąć przypadkowego pociągnięcia lub kontaktu z powierzchnią grzewczą.
- Nie umieszczać dłoni w zestawie dzbanka, kiedy maszyna pracuje.
- Nie wkładać zbyt wielu składników, aby zapobiec wylaniu się produktu z urządzenia.
- **OSTRZEŻENIE:** Nie wypełniać dzbanka powyżej poziomu **MAX**.
- **OSTRZEŻENIE:** Płynny przeznaczony do mieszania nie mogą mieć temperatury wyższej od temperatury pokojowej. Przed użyciem urządzenia do mieszania ciepłych płynów należy ustawić niską prędkość działania i upewnić się, że pokrywa dzbanka jest prawidłowo założona. Należy zachować ostrożność w związku z ryzykiem poparzenia.
- Nie należy myć urządzenia wodą ani strumieniem wodnym. Mycie wodą może skutkować przeciekaniem i zwiększać ryzyko porażenia prądem. Części urządzenia nie nadają się do mycia w zmywarce.
- Przed czyszczeniem lub umieszczeniem w miejscu przechowywania odczekać, aż urządzenie ostygnie.
- Nie przestawiać urządzenia podczas działania. Przed przeniesieniem urządzenie należy odłączyć od gniazdko. Urządzenie należy trzymać od spodu.
- Nie używać urządzenia bez składników w środku, aby uniknąć przegrzania.
- Przed wyjęciem dzbanka należy upewnić się, że urządzenie jest wyłączone (0), a pokrętło prędkości znajduje się w położeniu „Low” (Niska).
- **OSTRZEŻENIE:** Urządzenie może generować hałas przekraczający 85 dB; osoba obsługująca urządzenie powinna być wyposażona w odpowiednią ochronę.
- **OSTRZEŻENIE:** Włączając urządzenie, zawsze trzymaj dzbanek.
- **OSTRZEŻENIE:** W dzbanku blendera umieszczaj wyłącznie żywność: nigdy nie pozostawiaj w środku sztuczków ani innych przyrządów kuchennych czy przezroczystej pokrywy.
- **OSTRZEŻENIE:** Nigdy nie korzystaj z urządzenia, jeśli dzbanek nie jest zakryty pokrywką.
- **OSTRZEŻENIE:** Nigdy nie korzystaj z urządzenia, jeśli dzbanek przecieka - może to prowadzić do uszkodzenia jednostki silnika.
- **OSTRZEŻENIE:** Nigdy nie uruchamiaj urządzenia przed umieszczeniem w dzbanku żywności w formie stałej lub płynnej = może to prowadzić do uszkodzenia silnika.
- **OSTRZEŻENIE:** Nigdy nie korzystaj z urządzenia przez czas dłuższy niż 5 minut; po 5 minutach urządzenie powinno ostygnąć (przez ok. 15 minut).



Przeznaczenie

- Urządzenie przeznaczone do bufetu oraz do użytku domowego.
- Urządzenie przeznaczone jest do miksowania i mieszania żywności. Użycie urządzenia w jakimkolwiek innym celu może prowadzić do jego uszkodzenia lub do obrażeń ciała.
- Wykorzystanie urządzenia w jakimkolwiek innym celu uznane będzie za wykorzystanie niezgodne z przeznaczeniem. Użytkownik będzie wyłącznie odpowiedzialny za nieprawidłowe wykorzystanie urządzenia.

Montaż uziemienia

Kuchenka jest urządzeniem I klasy ochronności i wymaga uziemienia. Uziemienie zmniejsza ryzyko porażenia prądem, dzięki zastosowaniu przewodu odprowadzającego prąd elektryczny.

Kuchenka wyposażona jest w przewód z uziemieniem w wtykiem uziemiającym. Wtyczka musi zostać podłączona do gniazdka sieciowego, które zostało odpowiednio zamontowane i uziemione.

Przygotowanie przed pierwszym użyciem

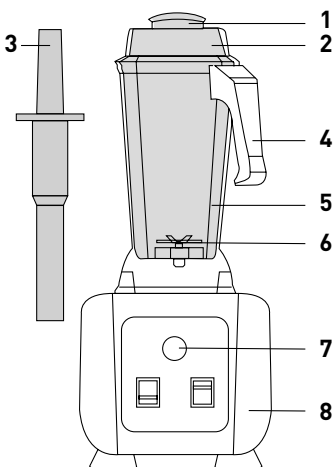
- Sprawdź, czy urządzenie nie jest uszkodzone. W przypadku jakichkolwiek uszkodzeń niezwłocznie skontaktuj się z dostawcą i NIE uruchamiaj urządzenia.
- Zdejmij wszystkie elementy opakowania.
- Przetrzyj urządzenie miękką szmatką przy użyciu letniej wody i niepieniącego się detergentu. Dokładnie optucz i wysusz.
- Ustaw urządzenie na płaskim i stabilnym podłożu.
- Upewnij się, czy wokół urządzenia zachowana została 15 cm przestrzeń w celu zapewnienia właściwej wentylacji.
- Ustaw urządzenie w taki sposób, aby zapewnić dobry dostęp do wtyczki.

PL

Części urządzenia

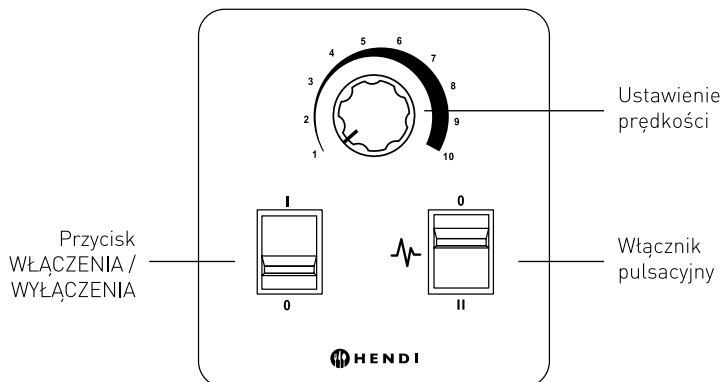
- 1) przezroczysta pokrywka
- 2) pokrywa
- 3) tłoczek
- 4) uchwyt dzbanka
- 5) dzbanek
- 6) zestaw ostrzy
- 7) panel sterowania
- 8) jednostka silnika

UWAGA: Części urządzenia zaznaczone kolorem szarym mogą wejść w kontakt z żywnością.



Działanie

- Urządzenie postaw przed sobą, tak aby panel sterowania był łatwo dostępny.
- sprawdź, czy silnik jest wyłączony i odłącz urządzenie od prądu
- Umieść składniki w dzbanku.
- Szczelnie zamknij pokrywę.
- Umieść dzbanek na jednostce silnika.
- Podłącz urządzenie do źródła zasilania.
- Włącz jednostkę silnika.
- **UWAGA:** Miksowanie zaczynaj od najniższej prędkości.



- Przycisk „włączenia / wyłączenia” (po lewej) jednostki silnika umożliwia ciągłą pracę urządzenia z różną prędkością, według ustawienia pokrętki regulującej prędkość [pośrodku].
- Przekręć pokrętko zgodnie z ruchem wskazówek zegara, aby zwiększyć prędkość silnika lub przeciwnie do ruchu wskazówek zegara, aby zmniejszyć prędkość.
- Włącznik pulsacyjny (po prawej) uruchamia silnik na najwyższych obrotach. Silnik zatrzymuje się, gdy przycisk zostanie zwolniony.
- Wyłącz silnik i zaczekaj, aż urządzenie całkowicie zakończy pracę przed zdjęciem dzbanka.
- Po zdjęciu dzbanka silnik zatrzyma się automatycznie.
- Jeśli blender nie jest użytkowany, odłącz urządzenie od źródła zasilania.

OSTRZEŻENIE: Nigdy nie umieszczaj dzbanka na uruchomionej jednostce silnika. Może to prowadzić do uszkodzenia sprzęgła silnika i dzbanka. Dzbaneł może zostać umieszczony na jednostce silnika wyłącznie wtedy, gdy silnik jest wyłączony.

Czyszczenie i konserwacja jednostki silnika

- Przed umyciem zawsze wyłącz urządzenie z gniazdka.
- Uwaga: Nigdy nie zanurzaj urządzenia w wodzie ani w innym płynie!
- Umyj zewnętrzną obudowę przy pomocy wilgotnej szmatki (użyj roztworu wody i łagodnego środka czyszczącego).
- Nigdy nie używaj żrących środków czyszczących i/lub materiałów ściernych. Nie używaj ostrych i/ani ostro zakończonych przedmiotów. Nie stosuj benzyny ani rozpuszczalników! Czyść urządzenie wilgotną szmatką oraz ewentualnie środkiem czyszczącym. Nie stosuj materiałów ściernych.



Czyszczenie i konserwacja dzbanka

- Wlej do dzbanka letnią wodę z łagodnym, nie-pieniącym środkiem czyszczącym.
- Zakryj dzbanek pokrywą.
- Umieść dzbanek na jednostce silnika.
- Włącz jednostkę silnika na pełne obroty na 10-20 sekund.
- Wytłącz jednostkę silnika.
- Zdejmij dzbanek z jednostki silnika.
- Dokładnie wypłucz dzbanek czystą wodą.
- Jeśli na zestawie noży nadal znajdują się pozostałości żywności, ostrożnie wyczyść ostrza za pomocą małego noża lub pincety. Nigdy nie czyść ostrzy gołymi rękoma.
- Wysusz zarówno wewnątrz, jak i zewnętrzną powierzchnię dzbanka.
- Po czyszczeniu, zdezynfekuj dzbanek. Postępuj zgodnie z instrukcjami producenta środka dezynfekującego.
- Przechowuj dzbanek do góry dnem.
- Spodnia strona dzbanka nie może wejść w kontakt z jakąkolwiek cieczą.
- **OSTRZEŻENIE:** Nigdy nie rozmontowuj części dzbanka ani zestawu ostrzy.
- **OSTRZEŻENIE:** Nie myj żadnych części urządzenia w zmywarce.

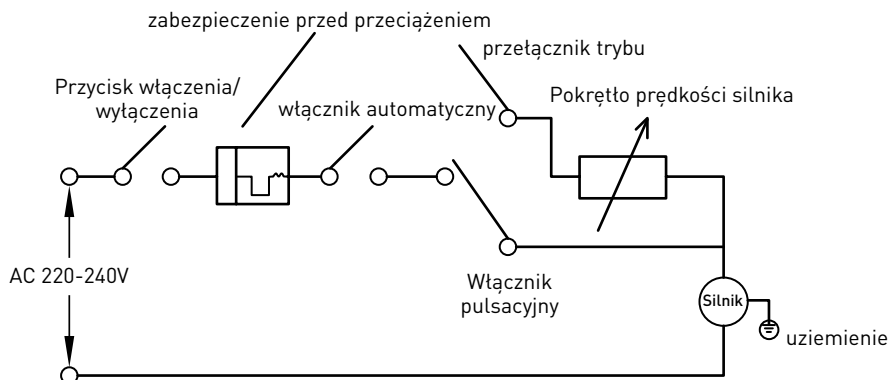
Rozwiązywanie problemów

Jeżeli urządzenie nie działa prawidłowo, spróbuj znaleźć rozwiązanie w poniższej tabeli. Jeżeli

nadal nie możesz rozwiązać problemu, należy skontaktować się z dostawcą/dostawcą usług.

Problemy	Możliwa przyczyna	Możliwe rozwiązanie
Urządzenie nie działa.	Brak zasilania	Sprawdź, czy wtyczka jest włożona do gniazdka we właściwy sposób.
	Zestaw ostrzy zablokował się.	Wciśnij przycisk reset znajdujący się na spodniej stronie jednostki silnika.
	Doszło do przegrzania urządzenia.	Odtłącz urządzenie od źródła zasilania i pozostaw do całkowitego ostygnięcia.
	Dzbanek nie został umieszczony na jednostce silnika.	Wytłącz urządzenie, umieść dzbanek na jednostce silnika i ponownie włącz urządzenie
Urządzenie wydaje niestandardowe dźwięki	Silnik zużyty lub uszkodzony dzbanek	Skontaktuj się z dostawcą.
Z urządzenia wydobywa się nieprzyjemny zapach	Silnik spalił się	Skontaktuj się z dostawcą.
Dzbanek przecieka lub jest w inny sposób uszkodzony	Zużyty zestaw ostrzy	Skontaktuj się z dostawcą lub wymień dzbanek (zestaw części zamiennych nr 933668).
Urządzenie silnie wibruje	Zużyty silnik lub uszkodzony dzbanek	Skontaktuj się z dostawcą lub wymień dzbanek (zestaw części zamiennych nr 933668).
Urządzenie nie rozdrabnia równomiernie żywności	Uszkodzone ostrze	Skontaktuj się z dostawcą lub wymień dzbanek (zestaw części zamiennych nr 933668).
Urządzenie uruchamia się jedynie po przy użyciu włącznika pulsacyjnego	Uszkodzony moduł zasilania	Skontaktuj się z dostawcą

Schemat elektryczny (model sterowania mechanicznego)



Technische Spezifikation

Napięcie robocze i częstotliwość: 220-240V~
50/60Hz

Moc szczytowa: do 1680 W

Wymiary: 270x250x(wys.)550 mm

Pojemność nominalna: 2,5 litra

Waga netto: ok. 5,5 kg

Prędkość obrotowa bez obciążenia [obr./min]:

- Minimum: 16,000 +/- 10%

- Maximum: 24,800 +/- 10%

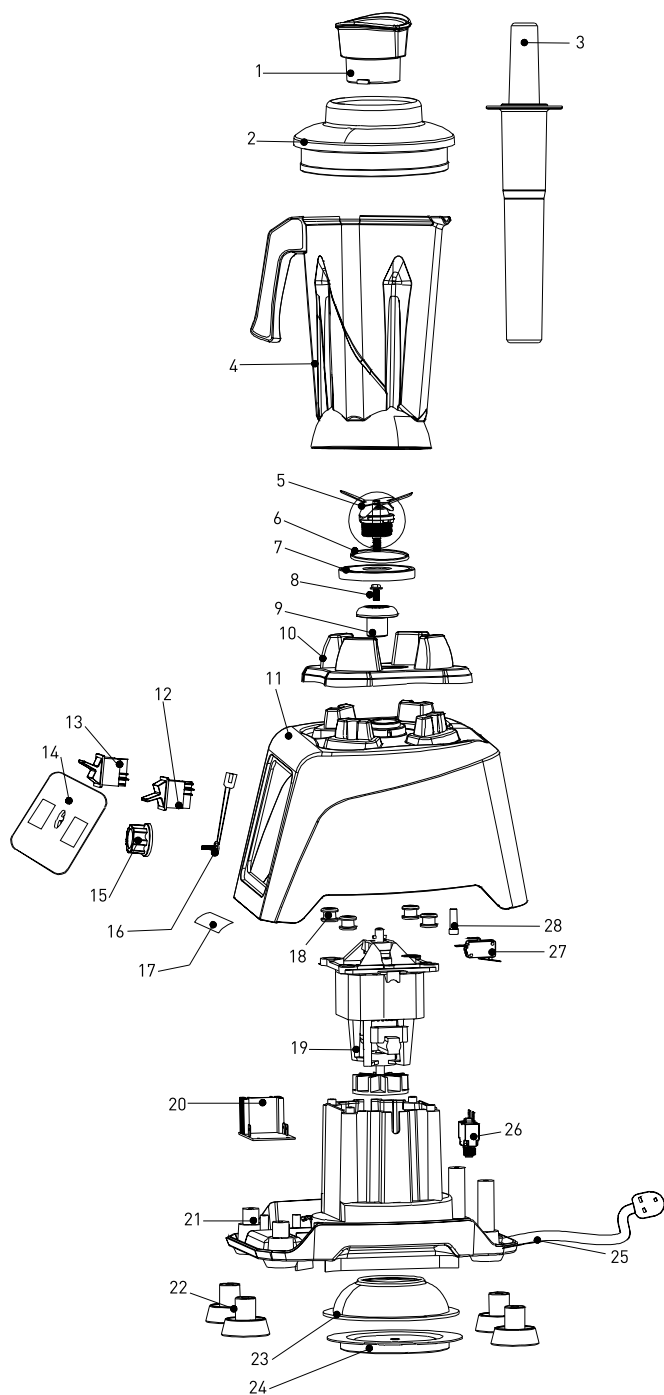
Poziom hałasu: >85dB

Stopień ochrony: klasa I

Dzbanek wykonany z tworzywa: Tritan (230213),
PC (230718)



Rysunek złożeniowy i lista części



Nr rys.	Opis	Numer części zamiennej	Ilość	Uwaga
1	Mała pokrywa	nss	1	Dostępny jako 933787
2	Pokrywa główna	933787	1	Zawiera 1
3	Dociskacz	933794	1	
4	Dzbanek 2,5 l	933688	1	Zawiera 1,2,4,5,6,7
5	Zestaw ostrzy	933800	1	
6	Pierścień uszczelniający	933817	1	
7	Podstawa	933824	1	
8	Śruba M4*6	nss	1	Dostępny w 933831
9	Wirnik	933831	1	Zawiera 8
10	Podstawa dzbanka 2,5 l	933848	1	
11	Korpus silnika	n/a	1	
12	Włacznik pulsacyjny	917091	1	
13	Włacznik/Wytącznik	917060	1	
14	Panel sterowania silnika	n/a	1	
15	Pokrętko prędkości silnika	933893	1	
16	Potencjometr	933909	1	
17	Etykieta ostrzegawcza	n/a	1	
18	Zabezpieczenie silnika przed wstrząsami	nss	4	
19	Silnik 95*40	933916	1	Zawiera 18
20	Płytką drukowaną	933855	1	Posiada filtr przeciwzakłócenowy PCB
21	Nasadka dolna	n/a	1	
22	Nóżki	933862	4	Sprzedawany na sztuki
23	Kierownica powietrza	n/a	1	
24	Płyta kierownicy powietrza	n/a	1	
25	Kabel zasilający	933923	1	
26	Zabezpieczenie przeciążeniowe	933930	1	
27	Mikroprzetącznik	207093	1	
28	Podstawa mikroprzetącznika	n/a	1	

Uwaga:

n/a -> niedostępny nss -> niedostępny w sprzedaży jako samoistny element

Gwarancja

Każda wada bądź usterka powodująca niewłaściwe funkcjonowanie urządzenia, która ujawni się w ciągu jednego roku od daty zakupu, zostanie bezpłatnie usunięta lub urządzenie zostanie wymienione na nowe, o ile było użytkowane i konserwowane zgodnie z instrukcją obsługi i nie było wykorzystywane w niewłaściwy sposób lub niezgodnie z przeznaczeniem. Postanowienie to w żadnej mierze nie narusza innych praw użytkownika wynikających z przepisów prawa. W przypadku zgłoszenia urządzenia do naprawy

lub wymiany w ramach gwarancji należy podać miejsce i datę zakupu urządzenia i dołączyć dowód zakupu (np. paragon).

Zgodnie z naszą polityką ciągłego doskonalenia wyrobów zastrzegamy sobie prawo do wprowadzania bez uprzedzenia zmian w wyrobie, opakowaniu oraz danych technicznych podawanych w dokumentacji.



Wycofanie z użytkowania i ochrona środowiska

Pamiętaj!

Nie wyrzucaj zużytego sprzętu łącznie z innymi odpadami

Nie demontuj zużytych urządzeń zawierających niebezpieczne składniki na własną rękę!

Groź Ci za to kary grzywny!

Po zakończeniu eksploatacji produktu nie wolno gromadzić razem z odpadami komunalnymi, tylko należy odstawić do punktu odbioru odpadów elektrycznych i elektronicznych. Użytkownik ponosi odpowiedzialność za przekazanie wycofanego z użytkowania urządzenia do punktu gospodarowania odpadami. Nieprzestrzeganie tej zasady może być karane zgodnie z lokalnie obowiązującymi przepisami dotyczącymi gospodarowania odpadami. Jeśli urządzenie wycofane z użytkowania jest poprawnie odebrane jako osobny odpad, może zostać przetworzone i zutylicowane w sposób przyjazny dla środowiska, co zmniejsza negatywny wpływ na środowisko i zdrowie ludzi. Aby uzyskać więcej informacji dotyczących dostępnych usług w zakresie odbioru odpadów, należy skontaktować się z lokalną firmą odbierającą odpady.



Symbol przekreślonego kosza na śmieci oznacza, że tego produktu nie wolno wyrzucać do zwykłych pojemników na odpady.

Zużyte urządzenia elektryczne i elektroniczne mogą zawierać niebezpieczne składniki np. rtęć, ołów, kadm lub freon. Jeśli tego typu substancje przedostaną się w sposób niekontrolowany do środowiska, spowodują skażenie wody i gleby, a także wpłyną niekorzystnie na zdrowie ludzi i zwierząt.

Właściwe postępowanie ze zużytym sprzętem zapobiega potencjalnym negatywnym konsekwencjom dla środowiska naturalnego i ludzkiego zdrowia.

Jednocześnie oszczędzamy naturalne zasoby naszej Ziemi wykorzystując powtórnie surowce uzyskane z przetwarzania sprzętu.

Cher client,

Merci d'avoir acheté cet appareil de HENDI. Veuillez lire attentivement ce mode d'emploi avant de brancher l'appareil afin d'éviter tout endommagement pour cause d'usage abusif. Veuillez notamment lire les consignes de sécurité avec la plus grande attention.

Règles de sécurité

- L'utilisation abusive et le maniement incorrect de l'appareil peuvent entraîner une grave détérioration de l'appareil ou provoquer des blessures.
- Cet appareil est destiné pour des buffets et à un usage domestique.
- L'appareil doit être utilisé uniquement pour le but il a été conçu. Le fabricant décline toute responsabilité en cas de dommage consécutif à un usage abusif ou un maniement incorrect.
- Veuillez à tenir l'appareil et la prise électrique hors de portée de l'eau ou de tout autre liquide. Si malencontreusement l'appareil tombe dans l'eau, débranchez immédiatement la prise électrique et faites contrôler l'appareil par un réparateur agréé. La non-observation de cette consigne entraîne un risque d'accident mortel.
- Ne tentez jamais de démonter vous-même le bâti de l'appareil.
- N'enfoncez aucun objet dans la carcasse de l'appareil.
- Ne touchez pas la prise avec les mains mouillées ou humides.
- ⚠ **Risque d'électrocution!** Ne tentez jamais de réparer l'appareil. Tous défauts et dysfonctionnement doivent être supprimés par le personnel qualifié.
- **N'utilisez jamais l'appareil endommagé!** Débranchez l'appareil endommagé de l'alimentation électrique et contactez votre revendeur.
- **Avertissement:** N'immergez pas les pièces électriques de l'appareil dans l'eau ou dans d'autres liquides. Ne mettez pas l'appareil sous l'eau courante.
- Vérifiez régulièrement la fiche et le câble d'alimentation pour les dommages. La fiche ou le câble d'alimentation endommagé(e) transmettre pour la réparation au service ou à une personne qualifiée, pour prévenir tous les menaces ou les blessures possibles.
- Assurez-vous que le câble d'alimentation n'est pas en contact avec les objets pointus ou chauds ; gardez le câble loin des flammes nues. Pour retirer la fiche de la prise murale, tirez toujours en tenant la fiche et non le câble d'alimentation.
- Protégez le câble d'alimentation (ou la rallonge) contre le débranchement accidentel de la prise murale. Le câble doit être posé de manière ne provoquant pas les chutes accidentelles.
- Surveillez en permanence l'appareil pendant l'utilisation.
- **Avertissement!** Si la fiche est insérée dans la prise murale, l'appareil doit être considéré comme branché à l'alimentation.
- Avant de retirer la fiche de la prise, éteignez l'appareil !
- Ne transportez jamais l'appareil en tenant le câble.
- N'utilisez aucuns accessoires qui n'ont pas été fournis avec l'appareil.

FR



- L'appareil doit être branché à la prise murale avec une tension et la fréquence indiquées sur la plaque signalétique.
- Insérez la fiche à la prise murale située dans un endroit facilement accessible de sorte qu'en cas de panne l'appareil puisse être immédiatement déconnecté. Pour éteindre complètement l'appareil, débranchez-le de la source d'alimentation. Pour cela, retirez la fiche à l'extrémité du câble d'alimentation de la prise murale.
- Eteignez l'appareil avant de débrancher l'appareil de la prise!
- N'utilisez jamais les accessoires non recommandés par le fabricant. L'utilisation des accessoires non recommandés peut présenter des risques pour l'utilisateur et provoquer les dommages à l'appareil. Utilisez uniquement des pièces et accessoires originaux.
- Cet appareil n'est pas apte à être utilisé par des personnes (enfants compris) avec capacités physiques, sensorielles ou intellectuelles diminuées ou ne possédant pas l'expérience et les connaissances suffisantes.
- Ne laissez jamais les enfants utiliser l'appareil.
- L'appareil et le câble d'alimentation doivent être stockés hors de la portée des enfants.
- Ne permettez pas aux enfants d'utiliser l'appareil pour jouer
- Débranchez toujours l'appareil de l'alimentation s'il doit être laissé sans surveillance et également avant le montage, le démontage et le nettoyage.
- Ne laissez jamais l'appareil sans surveillance lorsqu'il est utilisé.

FR

Consignes particulières de sécurité

- Utiliser l'appareil uniquement conformément à la description du présent manuel.
- Cet appareil doit être utilisé et installé par un personnel spécialisé et formé dans la cuisine de l'industrie alimentaire.
- Tous les travaux d'entretien, d'installation et de réparation doivent être effectués par des techniciens autorisés, spécialisés et formés.
- Ne pas placer l'appareil sur un objet chauffant (cuisinière à huile, électrique, au charbon de bois, etc.). Maintenir l'appareil éloigné de toutes surfaces chaudes et feux ouverts. Utiliser toujours l'appareil sur une surface de niveau, stable, propre, résistante à la chaleur et sèche.
- Ne pas utiliser l'appareil à proximité de matériaux explosifs ou inflammables, de cartes de crédit, de disques magnétiques ou de radios.
- Porter des vêtements de protection, masques ou lunettes de protection si nécessaire, Durant son fonctionnement.
- Cet appareil n'est pas conçu pour fonctionner au moyen d'une minuterie externe ou d'un système de contrôle à distance séparé.
- Ne jamais ignorer un système de verrouillage sur l'appareil.
- **AVERTISSEMENT** : Ne pas obstruer d'ouvertures de ventilation sur l'appareil.
- **AVERTISSEMENT** : TOUJOURS éteindre l'appareil et le débrancher du courant avant de le nettoyer, de l'entretenir ou de le ranger.



- **AVERTISSEMENT ! TOUJOURS** faire attention aux mains, cheveux longs et vêtements qui ne doivent pas entrer en contact avec les éléments mobiles.
- Laisser au moins 20 cm d'espace autour de l'appareil pour une bonne ventilation pendant son utilisation.
- **ATTENTION !** Passer le cordon électrique en toute sécurité si nécessaire pour éviter de tirer dessus par mégarde ou qu'il entre en contact avec la surface chauffante.
- Ne pas mettre les mains dans l'ensemble pichet pendant le fonctionnement de l'appareil.
- Ne pas mettre trop d'ingrédients afin d'éviter tout débordement.
- **AVERTISSEMENT !** Ne pas remplir au-delà de la marque **MAX** sur le pichet.
- **AVERTISSEMENT !** Les liquides devant être mélangés doivent être à température ambiante, voire inférieure. Si vous allez mélanger des liquides chauds, assurez-vous que le couvercle du pichet est correctement en place et utilisez une faible vitesse pour le mélange. Risque de brûlures – soyez prudent.
- Ne pas laver l'appareil à l'eau ou au jet. Laver à l'eau risque de causer des fuites et augmente le risqué de choc électrique. Aucune pièce ne peut être mise au lave-vaisselle.
- Ne pas nettoyer ou ranger l'appareil avant complet refroidissement.
- Ne pas déplacer l'appareil pendant son fonctionnement. Débranchez l'appareil lorsque vous le déplacez et tenez-le par la base.
- Ne pas faire fonctionner l'appareil à vide pour éviter toute surchauffe.
- Assurez-vous que l'appareil est bien ETEINT (0) et que le compteur de vitesse est en position "FAIBLE" avant d'ôter l'ensemble pichet.
- **AVERTISSEMENT :** L'appareil peut émettre un bruit supérieur à 85 dB. La personne utilisant l'appareil doit posséder un équipement de protection appropriée.
- **AVERTISSEMENT :** Tenez toujours le pichet lorsque vous démarrez l'appareil.
- **AVERTISSEMENT :** Mettez dans le pichet uniquement de la nourriture : n'y mettez jamais les couverts et d'autres ustensiles de cuisine ou le couvercle transparent.
- **AVERTISSEMENT :** N'utilisez jamais l'appareil si le pichet n'est pas couvert par le couvercle.
- **AVERTISSEMENT :** N'utilisez jamais l'appareil lorsque le pichet n'est pas étanche. – cela peut endommager l'unité de moteur.
- **AVERTISSEMENT :** Ne démarrez jamais le moteur avant de placer dans le pichet des aliments solides ou liquides, cela peut endommager le moteur.
- **AVERTISSEMENT :** N'utilisez jamais l'appareil pendant plus de 5 minutes ; après 5 minutes l'appareil doit refroidir (pendant environ 15 minutes).

Destination de l'appareil

- Cet appareil est destiné pour des buffets et à un usage domestique.
- L'appareil est conçu pour destiné au mélange et au mixage d'aliments. L'utilisation de l'appareil à d'autres fins peut entraîner des dommages ou des blessures.
- L'utilisation de l'appareil à d'autres fins sera considérée comme une utilisation inappropriée. L'utilisateur sera seul responsable de l'utilisation incorrecte de l'appareil.



Montaż uziemienia

Kuchenka jest urządzeniem I klasy ochronności i wymaga uziemienia. Uziemienie zmniejsza ryzyko porażenia prądem, dzięki zastosowaniu przewodu odprowadzającego prąd elektryczny.

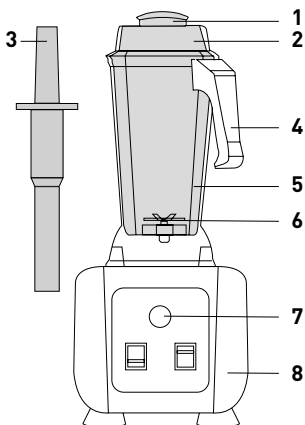
Kuchenka wyposażona jest w przewód z uziemieniem w wtykiem uziemiającym. Wtyczka musi zostać podłączona do gniazdka sieciowego, które zostało odpowiednio zamontowane i uziemione.

Préparations avant première utilisation

- Assurez-vous que l'appareil n'est pas endommagé. En cas de dommages contactez immédiatement votre fournisseur et NE DEMARREZ PAS l'appareil.
- Enlevez tous les éléments de l'emballage.
- Essayez l'appareil avec un chiffon doux et de l'eau tiède avec un détergent non moussant. Rincez bien et séchez.
- Placez l'appareil sur une surface plane et stable.
- Assurez-vous qu'il y a un espace de 15 cm autour de l'appareil pour garantir une bonne ventilation.
- Placez l'appareil de cette manière à ce qu'un bon accès à la prise soit laissé.

Éléments de l'appareil

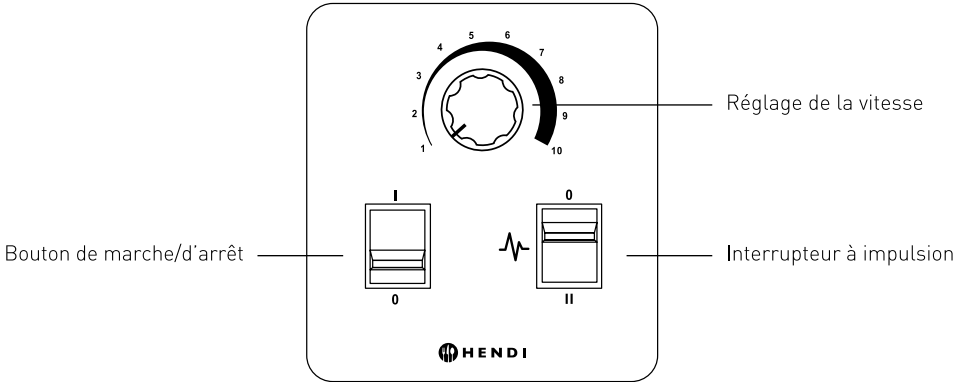
- 1) couvercle transparent
- 2) couverture
- 3) poussoir
- 4) poignée du récipient
- 5) pichet
- 6) ensemble de lames
- 7) panneau de commande
- 8) bloc de moteur



REMARQUE: Les parties de l'appareil marquées en gris peuvent entrer en contact avec les aliments.

Operation

- Positionnez l'appareil devant vous de sorte que le panneau de commande soit facilement accessible.
- Vérifiez que le moteur est éteint et débranchez-le.
- Mettez les ingrédients dans le pichet.
- Fermez bien le couvercle.
- Placez le pichet sur l'unité de moteur.
- Connectez l'appareil à une source d'alimentation.
- Allumez l'unité de moteur.
- **ATTENTION:** Commencez à mélanger à partir de la vitesse la plus basse.



- Le bouton de « marche/d'arrêt » (à gauche) du bloc de moteur permet un fonctionnement continu de l'appareil à différentes vitesses en fonction du réglage du bouton de réglage de la vitesse (au milieu).
- Tournez le bouton dans le sens horaire pour augmenter la vitesse du moteur ou dans le sens antihoraire pour diminuer la vitesse.
- L'interrupteur à impulsion (à droite) active le moteur à la vitesse la plus élevée. Le moteur s'arrête lorsque le bouton est relâché.
- Eteignez le moteur et attendez à ce que l'appareil s'arrête complètement avant de retirer le pichet.
- Après avoir retiré le pichet, le moteur s'arrête automatiquement.
- Lorsque vous n'utilisez pas le blender, débranchez-le de la source d'alimentation.

AVERTISSEMENT : Ne placez jamais le pichet sur l'unité de moteur en marche. Cela peut endommager l'embrayage et le pichet. Le pichet ne peut être placé sur l'unité de moteur lorsque le moteur est arrêté.

Nettoyage et entretien de l'unité du moteur

- Avant le nettoyage éteignez toujours l'appareil.
- Attention : Ne plongez jamais l'appareil dans l'eau ou tout autre liquide !
- Lavez le boîtier avec un chiffon humide (utilisez une solution d'eau et un détergent doux).
- N'utilisez jamais de nettoyants ou/et d'abrasifs. N'utilisez pas d'objets pointus et/ou avec les bords tranchants. N'utilisez pas d'essence ou de solvant ! Nettoyez l'appareil avec un chiffon humide ou éventuellement avec un produit de nettoyage. N'utilisez pas d'abrasifs.



Nettoyage et entretien du pichet

- Versez dans le pichet de l'eau tiède avec un détergent doux non moussant.
- Couvrez le pichet avec un couvercle.
- Mettez le pichet sur l'unité de moteur.
- Démarrez l'unité de moteur à une pleine vitesse pendant 10 à 20 secondes.
- Eteignez l'unité de moteur.
- Retirez le pichet de l'unité de moteur.
- Rincez soigneusement le pichet avec de l'eau propre.
- S'il y a des résidus d'aliments sur l'ensemble de lames, nettoyez soigneusement les lames avec un petit couteau ou une pince. Ne nettoyez jamais les lames avec les mains nues.
- Séchez le pichet également de l'intérieure et de l'extérieur.
- Après le nettoyage, désinfectez le pichet. Suivez les instructions du fabricant du désinfectant.
- Rangez le pichet à l'envers.
- Le fond du pichet ne peut entrer en contact avec aucun liquide.
- **AVERTISSEMENT** : Ne démontez jamais les pièces du pichet ou de l'ensemble de lames.
- **AVERTISSEMENT** : Ne lavez aucune partie de l'appareil dans le lave-vaisselle.

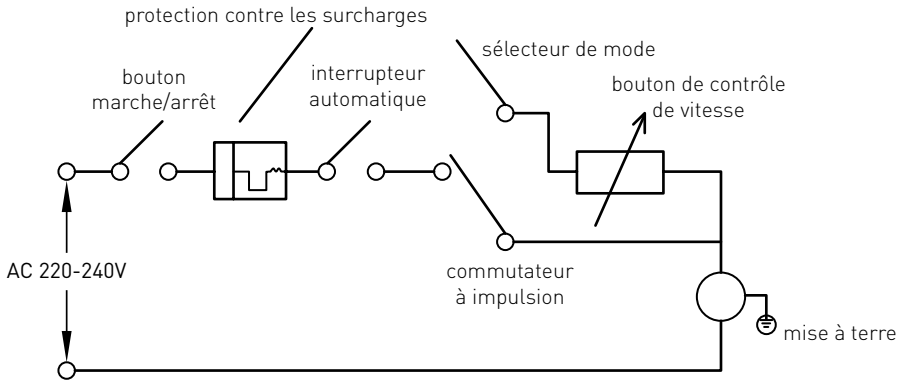
Résolution des problèmes

Si l'appareil ne fonctionne pas correctement, reportez-vous au tableau ci-dessous pour y trouver une solution. Si vous n'arrivez toujours pas à

résoudre le problème, contactez votre distributeur/fournisseur.

Problèmes	Cause possible	Solution possible
L'appareil ne fonctionne pas.	Pas d'alimentation	Assurez-vous que la fiche est correctement insérée dans la prise.
	L'ensemble de lames est bloqué	Appuyez sur le bouton de réinitialisation situé dans la partie inférieure de l'unité de moteur.
	L'appareil a surchauffé	Débranchez l'appareil de la source d'alimentation et laissez-le refroidir complètement.
	Le pichet n'a pas été placé sur l'unité de moteur	Eteignez l'appareil et placez le pichet sur l'unité de moteur, redémarrez l'appareil.
L'appareil émet des sons non standard	Le moteur est usé ou endommagé.	Contactez votre fournisseur.
L'appareil dégage une odeur désagréable	Le moteur est brûlé	Contactez votre fournisseur.
Le pichet fuit ou est endommagé de toute autre manière	L'ensemble de lames est usé.	Contactez votre fournisseur ou remplacez le pichet (ensemble de pièces de rechange n° 933668).
L'appareil vibre fortement	Le moteur est usé ou le pichet est endommagé	Contactez votre fournisseur ou remplacez le pichet (ensemble de pièces de rechange n° 933668).
L'appareil ne hache pas uniformément la nourriture	La lame est endommagée	Contactez votre fournisseur ou remplacez le pichet (ensemble de pièces de rechange n° 933668).
L'appareil ne démarre qu'avec un interrupteur à impulsion	Le module d'alimentation est endommagé	Contactez votre fournisseur

Schéma électrique (modèle de commande mécanique)



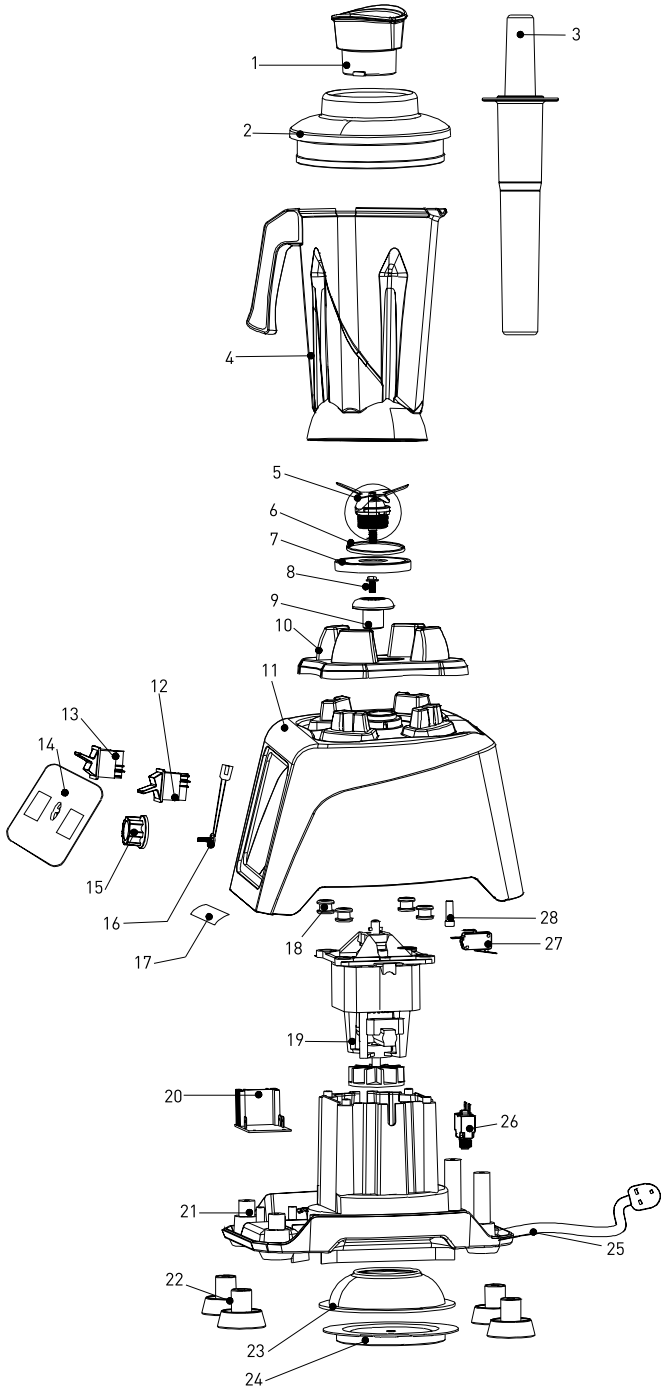
Caractéristiques techniques

Tension et fréquence: 220-240V- 50/60Hz
Puissance maximale: jusqu'à 1680 W
Dimensions: 270x250x(hauteur)550 mm
Capacité nominale: 2,5 litre
Poids net: environ 5,5 kg

Vitesse de rotation sans charge (tpm) :
- Minimum: 16,000 +/- 10%
- Maximum: 24,800 +/- 10%
Niveau de bruit: >85dB
Classe de protection: Classe I
Pichet fait en: Tritan (230213), PC (230718)



Schéma éclaté et liste des pièces



FR



N° schéma	Description	Numéro de la pièce de rechange	Quantité	Remarque
1	Petit couvercle	nss	1	Disponible comme 933787
2	Jeu de couvercles	933787	1	Contient 1
3	Pressoir	933794	1	
4	Bol 2,5 l	933688	1	Contient 1,2,4,5,6,7
5	Jeu de lames	933800	1	
6	joint d'étanchéité	933817	1	
7	base	933824	1	
8	Vis M4*6	nss	1	Disponible dans 933831
9	Rotor	933831	1	Contient 8
10	bloc base du bol 2,5 l	933848	1	
11	corps	n/a	1	
12	commutateur à impulsion	917091	1	
13	bouton marche/arrêt	917060	1	
14	panneau de commande du moteur	n/a	1	
15	Variateur	933893	1	
16	potentiomètre	933909	1	
17	étiquette d'avertissement	n/a	1	
18	Protection du moteur contre vibrations	nss	4	
19	Moteur 95*40	933916	1	Contient 18
20	Plaque imprimée	933855	1	équipé d'un filtre antiparasite PCB
21	emboût inférieur	n/a	1	
22	Base en matière plastique	933862	4	vendu par éléments
23	Guidage de l'air	n/a	1	
24	Panneau du guidage de l'air	n/a	1	
25	Cordon d'alimentation	933923	1	
26	protection contre surcharges	933930	1	
27	microcommutateur	207093	1	
28	base du microcommutateur	n/a	1	

Remarque:

n/a -> non disponible nss -> non disponible en vente comme élément séparé

Garantie

Tout vice ou toute défaillance entraînant un dysfonctionnement de l'appareil qui se déclare dans les 12 mois suivant la date de l'achat sera éliminé à titre gratuit ou l'appareil sera remplacé par un appareil nouveau si le premier a été dûment exploité et entretenu conformément aux termes de la notice d'exploitation et s'il n'a pas été indûment exploité ou de manière non conforme à sa destination. La présente stipulation ne porte pas de préjudice aux autres droits de l'utilisateurs prévus par les dispositions légales. Dans le cas où l'appareil est donné à la réparation ou

doit être remplacé dans le cadre de la garantie, il y a lieu de spécifier le lieu et la date de l'achat de l'appareil et produire un justificatif nécessaire (par ex. facture ou ticket de caisse).

Conformément à notre politique d'amélioration permanente de nos produits, nous nous réservons le droit d'introduire sans avertissement préalable des modifications à l'appareil, à l'emballage et aux caractéristiques techniques précisées dans la documentation.



Élimination et protection de l'environnement

En cas de retrait du produit de l'exploitation l'appareil ne peut pas être jeté avec d'autres déchets ménagers. L'utilisateur est responsable de la remise de l'équipement au point de collecte approprié pour l'équipement usagé. Le non-respect des dispositions ci-dessus peut entraîner des pénalités conformément à la réglementation applicable en matière d'élimination des déchets. La collecte sélective et le recyclage des équipements usagés contribuent à la conservation des ressources naturelles et assurent un recyclage

sans danger pour la santé et l'environnement. Pour plus d'informations sur les endroits de collecte des équipements usagés pour le recyclage, contactez la société de collecte des déchets locale. Le producteur et l'importateur ne sont pas responsables du recyclage et du traitement des déchets d'une manière respectueuse de l'environnement directement et dans le système public.

Gentile cliente,

grazie per aver acquistato questo apparecchio Hendi. Ti invitiamo a leggere queste istruzioni per l'uso con attenzione prima di collegare l'apparecchio al fine di evitare danni dovuti a uso improprio. Ti invitiamo inoltre a prestare particolare attenzione alle precauzioni di sicurezza.

Precauzioni di sicurezza

- L'uso scorretto e improprio dell'apparecchio possono danneggiare seriamente l'apparecchio e ferire gli utenti.
- Questo apparecchio è destinato al buffet e all'uso domestico.
- L'apparecchio può essere utilizzato solo per lo scopo per cui è stato concepito e progettato. Il produttore non è responsabile di eventuali danni provocati da uso scorretto ed improprio.
- Tenere l'apparecchio e la spina elettrica lontani da acqua ed altri liquidi. Nel caso improbabile che l'apparecchio cada in acqua, staccare immediatamente la spina dalla presa e fare ispezionare l'apparecchio da un tecnico certificato. L'inosservanza delle presenti istruzioni può dare luogo a situazioni pericolose
- Non provare mai ad aprire l'involucro dell'apparecchio da soli.
- Non inserire oggetti nell'involucro dell'apparecchio.
- Non toccare la presa con le mani bagnate o umide.
- ⚠ **Pericoli di scosse elettriche!** Non tentare di riparare l'apparecchio da solo. Eventuali difetti e malfunzionamenti devono essere rimossi solo da personale qualificato.
- **Non usare l'apparecchio danneggiato!** L'apparecchio difettoso deve essere immediatamente scollegato dalla rete e contattare il rivenditore.
- **Attenzione:** Non immergere parti elettriche in acqua o altri liquidi. Non mettere l'apparecchio sotto l'acqua corrente.
- Controllare regolarmente se la spina e il cavo di alimentazione non sono danneggiati. La spina o il cavo danneggiati trasmettere al servizio o alla persona qualificare per riparare, per evitare eventuali pericoli e lesioni.
- Assicurarsi che il cavo di alimentazione non è in contatto con oggetti appuntiti o caldi. Tenere il cavo lontano da fiamme libere. Per scollegare la spina dalla presa, tirare sempre la spina, mai il cavo.
- Proteggere il cavo di alimentazione (o di estensione) per la sconnessione accidentale dalla presa. Disporre il cavo in modo per evitare lo slittamento accidentale.
- Sorvegliare l'apparecchio continuamente durante l'uso.
- **Attenzione!** Se la spina è inserita nella presa, l'apparecchio è considerato come collegato.
- Prima di rimuovere la spina dalla presa, spegnere l'apparecchio!
- Non trasportare l'apparecchio tenendo il cavo di alimentazione.
- Non utilizzare qualsiasi accessorio che non è stato fornito con l'apparecchio.
- L'apparecchio deve essere collegato ad una presa con tensione e frequenza indicate sulla targhetta.

IT



- Inserire la spina nella presa situata in un punto facilmente accessibile in modo che in caso di guasto sia possibile scollegare immediatamente l'apparecchio. Per spegnere completamente l'apparecchio, scollegarlo dalla presa di corrente. Per questo staccare la spina che si trova sull'estremità del cavo di alimentazione.
- Prima di scollegare la spina, ricordarsi sempre di spegnere l'apparecchio!
- Non usare gli accessori non raccomandati dal produttore. L'uso di accessori non raccomandati può creare i rischi per l'utente e provocare i danni all'apparecchio. Usare unicamente solo pezzi ed accessori originali.
- L'installazione elettrica deve soddisfare le normative nazionali e locali applicabili. Questo apparecchio non è destinato all'uso da parte di persone (inclusi i bambini) con capacità fisiche, sensoriali o mentali ridotte, o senza esperienza e conoscenza.
- Non permettere ai bambini di utilizzare l'apparecchio.
- Tenere l'apparecchio con il cavo fuori dalla portata dei bambini.
- Non permettere ai bambini di giocare con l'apparecchio.
- Scollegare l'apparecchio dalla rete se esso deve essere lasciato incustodito e prima del montaggio, dello smontaggio o della pulizia.
- Non lasciare l'apparecchio incustodito durante l'utilizzazione.

Regolamenti di sicurezza speciali

- Utilizzare la macchina solo come descritto in questo manuale.
- Questa macchina deve essere utilizzata e installata da personale specializzato addestrato nella cucina del settore alimentare.
- Tutte le operazioni di manutenzione, installazione e riparazione devono essere eseguite da tecnici autorizzati specializzati.
- Non posizionare la macchina su un oggetto riscaldate (fornello a benzina, elettrico, a carbone, ecc.). Tenere l'apparecchio lontano da superfici calde e fiamme libere. Mettere sempre in funzione la macchina su una superficie piana, stabile, pulita, resistente al calore e asciutta.
- Non utilizzare la macchina vicino a materiali esplosivi o infiammabili, carte di credito, dischi magnetici o radio.
- Indossare indumenti protettivi, maschere o occhiali protettivi, se necessario durante il funzionamento.
- Questa macchina non è destinata ad essere azionata tramite un temporizzatore esterno o un sistema separato di controllo remoto.
- Non escludere mai eventuali interblocchi di sicurezza sulla macchina.
- **ATTENZIONE:** Tenere tutte le aperture di ventilazione dell'apparecchio libere da ostruzioni.
- **ATTENZIONE:** Spegnere SEMPRE la macchina e scollegare l'alimentazione elettrica prima di pulizia, manutenzione o stoccaggio.
- **ATTENZIONE!** Tenere SEMPRE mani, capelli lunghi e indumenti lontano dalle parti in movimento.
- Lasciare almeno 20 cm di spazio intorno all'apparecchio a fini di ventilazione durante l'uso.

- **Precauzione!** Se necessario, dirigere in sicurezza il cavo di alimentazione per evitare trazioni involontarie o contatto con la superficie di riscaldamento.
- Non mettere le mani nella brocca quando la macchina è in funzione.
- Non caricare troppi ingredienti per evitare la fuoriuscita dei prodotti alimentari.
- **ATTENZIONE!** Non riempire oltre il contrassegno **MAX.** della brocca.
- **ATTENZIONE!** I liquidi da miscelare dovrebbero essere a o al di sotto della temperatura ambiente. Se ci si appresta a mescolare liquidi caldi, assicurarsi che il coperchio della brocca sia correttamente in posizione e utilizzare una bassa velocità per l'elaborazione. Rischio di ustioni e prestare attenzione.
- Non lavare la macchina con acqua o getti d'acqua. Il lavaggio con acqua può causare perdite e aumentare il rischio di scosse elettriche. Non ci sono parti lavabili in lavastoviglie.
- Non pulire o riporre la macchina a meno che non sia completamente raffreddata.
- Non spostare la macchina mentre è in funzione. Scollegare la macchina quando la si sposta e tenerla dal basso.
- Non utilizzare la macchina senza ingredienti per evitare surriscaldamenti.
- Verificare che la macchina sia spenta (0) e la manopola di velocità sia in posizione "Bassa" prima di rimuovere il gruppo brocca.
- **AVVERTENZA:** L'apparecchio può generare rumore superiore a 85 dB. L'operatore deve possedere le attrezzature per la protezione personale.
- **AVVERTENZA:** Al momento di accendere l'apparecchio tenere sempre il bicchiere.
- **AVVERTENZA:** Mettere all'interno del bicchiere unicamente il cibo: non lasciare mai nulla all'interno ad esempio posate o altri utensili da cucina o il coperchio trasparente.
- **AVVERTENZA:** Non utilizzare mai l'apparecchio se il bicchiere non è coperto dal coperchio.
- **AVVERTENZA:** Non utilizzare mai l'apparecchio se il bicchiere si perde – questo potrebbe danneggiare l'unità di motore.
- **AVVERTENZA:** Non avviare mai l'apparecchio prima di posizionare il cibo solido o liquido all'interno del bicchiere, questo può causare danni al motore.
- **AVVERTENZA:** Non utilizzare mai l'unità per più di 5 minuti. Dopo 5 minuti l'apparecchio deve raffreddarsi (per circa 15 minuti).

Destinazione del dispositivo

- Questo apparecchio è destinato al buffet e all'uso domestico.
- L'apparecchio è progettato per miscelare e mescolare prodotti alimentari. L'uso del dispositivo per qualsiasi altro scopo può causare danni o lesioni.
- L'uso del dispositivo per qualsiasi altro scopo sarà considerato un uso improprio. L'utente sarà l'unico responsabile per l'uso scorretto del dispositivo.



Messa a terra

Il fornello è l'apparecchio della I classe di protezione e deve esser messo a terra. La messa a terra riduce il rischio di scosse elettriche grazie al cavo evacuante il corrente elettrico. L'ap-

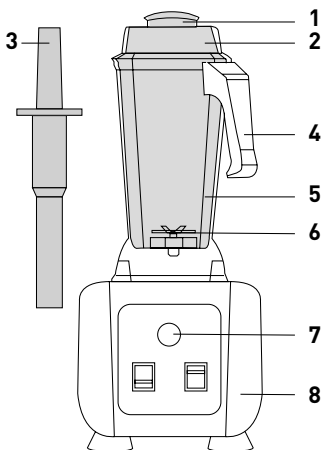
parecchio è dotato di un cavo con una messa a terra. Non inserire la spina nella presa di corrente se l'apparecchio non è stato correttamente installato o messo a terra.

Preparativi prima di utilizzare per la prima volta

- Assicurarsi che l'apparecchio non sia danneggiato. In caso di danni, contattare subito il proprio fornitore e **NON** avviare l'apparecchio.
- Rimuovere tutti i componenti di imballaggio.
- Pulire l'apparecchio con un panno morbido usando acqua tiepida e un detergente non schiumogeno. Risciacquare e asciugare precisamente.
- Posizionare la macchina su una superficie piana e stabile.
- Assicurarsi che intorno all'apparecchio c'è uno spazio di 15 cm per garantire una buona ventilazione.
- Posizionare l'apparecchio in modo da avere un buon accesso alla spina.

Elementi dell'apparecchio

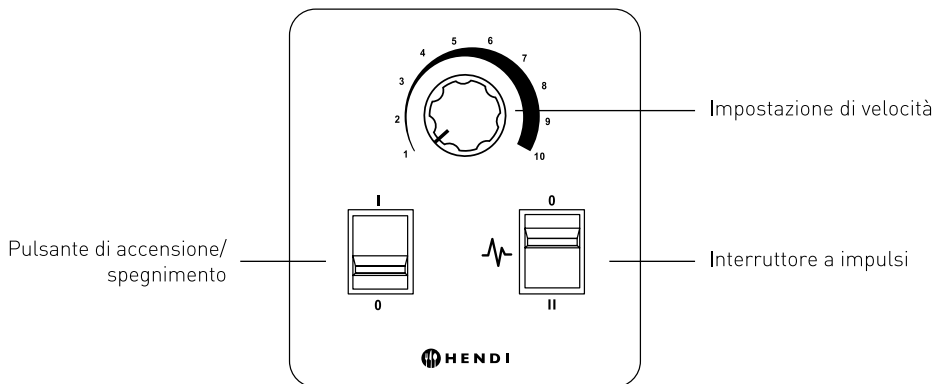
- 1) coperchio trasparente
- 2) copertura
- 3) spintore
- 4) maniglia
- 5) bicchiere
- 6) insieme di lame
- 7) pannello di controllo
- 8) unità di motore



ATTENZIONE: Le parti dell'apparecchio che sono in grigio possono entrare in contatto con il cibo.

Funzionamento

- Posizionare l'apparecchio davanti a voi in modo che il pannello di controllo sia facilmente accessibile.
- Controllare se il motore è spento e scollegarlo.
- Mettere gli ingredienti nel bicchiere.
- Chiudere bene il coperchio.
- Posizionare il bicchiere sull'unità di motore.
- Collegare l'apparecchio ad una fonte di alimentazione.
- Accendere l'unità di motore.
- **ATTENZIONE:** cominciare la miscelazione dalla velocità più bassa.



- Il pulsante di „accensione / spegnimento“ (a sinistra) dell'unità di motore consente il funzionamento continuo dell'apparecchio a diverse velocità sulla base dell'impostazione della manopola di velocità (al centro).
- Ruotare la manopola in senso orario per aumentare la velocità del motore, o in senso antiorario per diminuire la velocità.
- L'interruttore a impulsi (a destra) attiva il motore alla massima velocità. Il motore si ferma quando l'interruttore è rilasciato.
- Spegner il motore e attendere che l'apparecchio si arresti completamente prima di rimuovere il bicchiere.
- Dopo aver rimosso il bicchiere il motore si arresta automaticamente.
- Se il frullatore non è in uso, scollegarlo dalla fonte di alimentazione.

AVVERTENZA: Non posizionare mai il bicchiere su un motore avviato. Questo potrebbe danneggiare l'innesto del motore e il bicchiere. Il bicchiere può essere posto sull'unità di motore solo quando il motore è spento.

Pulizia e manutenzione dell'unità di motore

- Spegner sempre l'apparecchio prima di lavorarlo.
- Attenzione: Non immergere mai l'apparecchio in acqua o in altri liquidi!
- Lavare la custodia con un panno umido (utilizzare una soluzione di acqua e di un detergente delicato).
- Non utilizzare mai detersivi abrasivi o/e materiali abrasivi. Non utilizzare oggetti taglienti o / e affilati. Non utilizzare benzina o solventi! Pulire l'apparecchio con un panno umido e eventualmente con un detergente di pulizia. Non utilizzare materiali abrasivi.



Pulizia e manutenzione del bicchiere

- Versare nel bicchiere acqua tiepida con un detersivo non schiumogeno.
- Coprire il bicchiere con un coperchio.
- Posizionare il bicchiere sull'unità di motore.
- Avviare l'unità di motore ad una piena velocità per 10-20 secondi.
- Spegnerne l'unità di motore.
- Rimuovere il bicchiere dall'unità di motore.
- Sciacquare bene il bicchiere con acqua pulita.
- Se sulle lame ci sono ancora residui di cibo, pulire le lame con cura utilizzando un piccolo coltello o pinzette. Non pulire mai le lame con le mani nude.
- Asciugare sia la parte interna ed esterna del bicchiere.
- Dopo la pulizia, disinfettare il bicchiere. Seguire le istruzioni del produttore del disinfettante.
- Conservare il bicchiere il fondo verso in giù.
- Il fondo del bicchiere non può entrare in contatto con qualsiasi liquido.
- **AVVERTENZA:** Non smontare mai le parti del bicchiere o l'insieme di lame.
- **AVVERTENZA:** Non lavare le parti dell'apparecchio nella lavastoviglie.

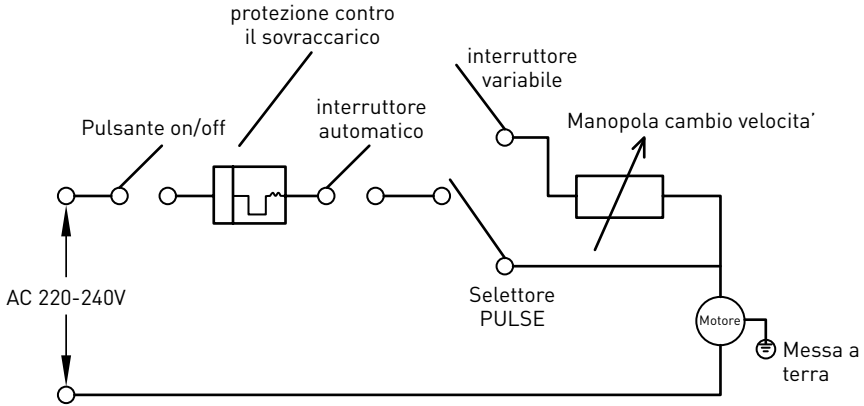
Risoluzione dei problemi

Se l'apparecchio non funziona correttamente, si prega di controllare la tabella seguente per la soluzione. Se non si è ancora in grado di risol-

vere il problema, contattare il fornitore/centro assistenza.

Problemi	Possibile causa	Possibile soluzione
L'apparecchio non funziona	Non c'è l'alimentazione	Assicurarsi che la spina è bene collegata alla presa.
	L'insieme di lame è bloccato	Premere il pulsante di reset sul fondo dell'unità di motore.
	L'apparecchio è surriscaldato	Scollegare l'apparecchio dalla fonte di alimentazione e lasciare raffreddare completamente.
	Il bicchiere non è stato posto sull'unità di motore	Spegnerne l'apparecchio, posizionare il bicchiere sull'unità di motore e riaccendere l'apparecchio.
L'apparecchio emette suoni non standard	Il motore è usato o danneggiato	Contattare il fornitore.
L'apparecchio emette un cattivo odore	Il motore è stato bruciato	Contattare il fornitore.
Il bicchiere perde o è danneggiato in qualsiasi altro modo	L'insieme di lame è usato	Contattare il fornitore o sostituire il bicchiere (insieme di parti di ricambio n. 933668).
L'apparecchio vibra fortemente	Il motore è usato o il bicchiere è danneggiato	Contattare il fornitore o sostituire il bicchiere (insieme di parti di ricambio n. 933668).
L'apparecchio non spezzetta il cibo in modo uniforme	La lama è danneggiata	Contattare il fornitore o sostituire il bicchiere (insieme di parti di ricambio n. 933668).
L'apparecchio può essere avviato unicamente dopo aver usato l'interruttore a impulsi	Il modulo di alimentazione è danneggiato	Contattare il fornitore

Schéma électrique (modèle de commande mécanique)



Specifiche tecniche

Tensione e frequenza: 220-240V~ 50/60Hz

Potenza massima: fino a 1680 W

Dimensioni: 270x250x(altezza)550 mm

Capacità nominale: 2,5 litri

Peso netto: ca. 5,5 kg

Velocità di rotazione senza carico (giri/min):

- Minimo: 16,000 +/- 10%

- Massimo: 24,800 +/- 10%

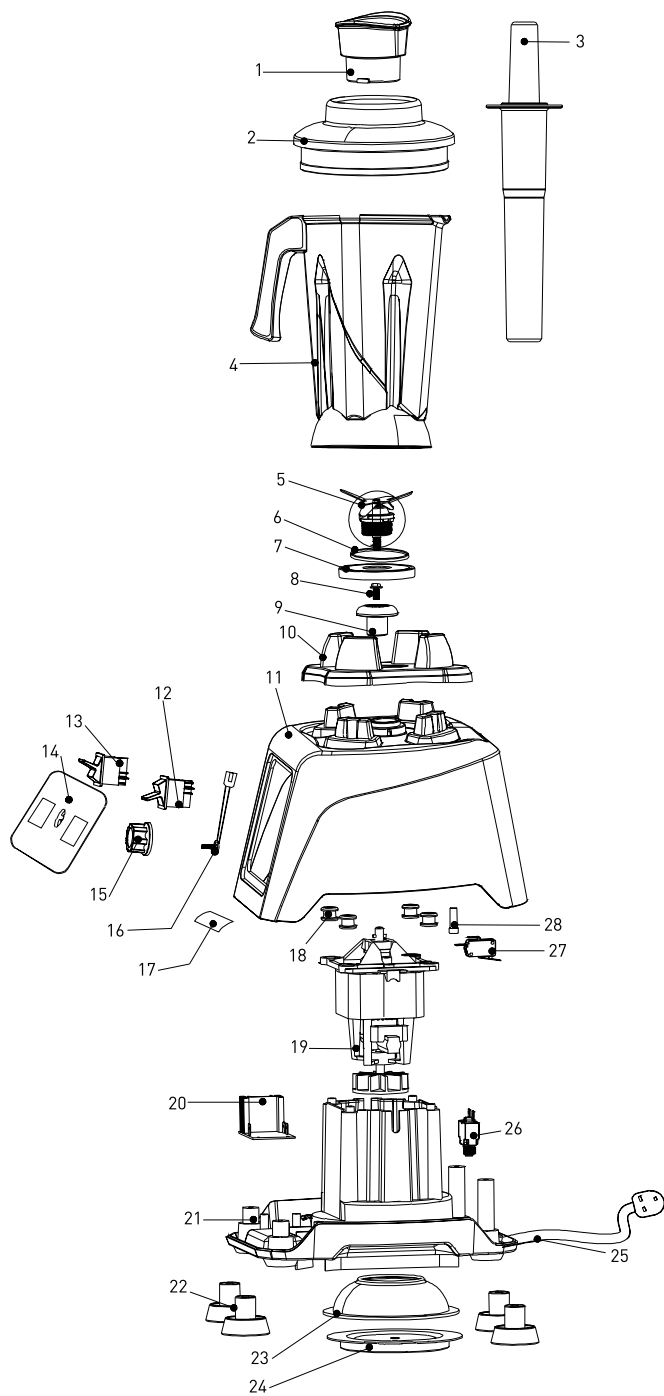
Livello di rumore: >85dB

Classe di protezione: Classe I

Materiale contenitore: Tritan (230213), PC (230718)



Disegno esploso ed elenco parti



N° schéma	Description	Numéro de la pièce de rechange	Quantité	Remarque
1	Petit couvercle	nss	1	Disponible comme 933787
2	Jeu de couvercles	933787	1	Contient 1
3	Pressoir	933794	1	
4	Bol 2,5 l	933688	1	Contient 1,2,4,5,6,7
5	Jeu de lames	933800	1	
6	joint d'étanchéité	933817	1	
7	base	933824	1	
8	Vis M4*6	nss	1	Disponible dans 933831
9	Rotor	933831	1	Contient 8
10	bloc base du bol 2,5 l	933848	1	
11	corps	n/a	1	
12	commutateur à impulsion	917091	1	
13	bouton marche/arrêt	917060	1	
14	panneau de commande du moteur	n/a	1	
15	Variateur	933893	1	
16	potentiomètre	933909	1	
17	étiquette d'avertissement	n/a	1	
18	Protection du moteur contre vibrations	nss	4	
19	Moteur 95*40	933916	1	Contient 18
20	Plaque imprimée	933855	1	équipé d'un filtre antiparasite PCB
21	emboût inférieur	n/a	1	
22	Base en matière plastique	933862	4	vendu par éléments
23	Guidage de l'air	n/a	1	
24	Panneau du guidage de l'air	n/a	1	
25	Cordon d'alimentation	933923	1	
26	protection contre surcharges	933930	1	
27	microcommutateur	207093	1	
28	base du microcommutateur	n/a	1	

Attenzione:

n/a -> non disponibile nss -> non disponibile en vente comme élément séparé

Garanzia

Qualsiasi difetto che influenza la funzionalità del dispositivo che compaia entro un anno dall'acquisto sarà corretto a titolo interamente gratuito o con la sostituzione del prodotto che è stato utilizzato e sottoposto a manutenzione corretta seguendo le istruzioni, senza alcuna violazione. I diritti legali del cliente non sono assolutamente modificati. Nel caso in cui l'intervento di manutenzione o sostituzione sia previsto nel periodo

di validità della garanzia, precisare dove e quando si è acquistato il prodotto, possibilmente allegando lo scontrino.

In linea con la nostra politica di sviluppo continuo dei prodotti, ci riserviamo il diritto di modificare il prodotto, l'imballo e le specifiche di documentazione, senza notifica alcuna.



Smaltimento e protezione dell'ambiente

In caso di ritiro dell'apparecchiatura dal funzionamento il prodotto non può essere smaltito con altri rifiuti domestici. L'utente è responsabile della consegna dell'attrezzatura al punto di raccolta appropriato per l'attrezzatura usata. Il mancato rispetto delle disposizioni sopramenzionate può comportare l'imposizione di sanzioni in conformità con le normative vigenti in materia di smaltimento dei rifiuti. La raccolta e il riciclaggio selettivi di attrezzature usate contribu-

iscono alla conservazione delle risorse naturali e garantiscono il riciclaggio in modo tale da non nuocere alla salute e all'ambiente. Per ulteriori informazioni sui luoghi di smaltimento delle apparecchiature usate per il riciclaggio, contattare la società locale di raccolta dei rifiuti. Il produttore e l'importatore non sono responsabili per il riciclaggio e il trattamento dei rifiuti in modo ecologico, sia direttamente che nel quadro del sistema pubblico.

Stimate client,

Vă mulțumim pentru achiziționarea acestui aparat Hendi. Vă rugăm să citiți cu atenția acest manual înainte de a conecta aparatul pentru evitarea defectării ca urmare a utilizării incorecte. Acordați o atenție deosebită regulilor de siguranță.

Reguli de siguranță

- Operarea incorectă și utilizarea necorespunzătoare a aparatului poate avaria grav aparatul și poate cauza răni oamenilor.
- Acest aparat este destinat uzului casnic și pentru bufet.
- Aparatul poate fi folosit doar în scopul pentru care a fost proiectat. Producătorul nu este răspunzător pentru orice avariere cauzată operării incorecte și a utilizării necorespunzătoare.
- Asigurați-vă că aparatul și ștecherul nu intră în contact cu apă sau alte lichide. În cazul în care aparatul este scăpat în apă, scoateți imediat ștecherul din priză și un tehnician autorizat trebuie să-l verifice. Dacă nu respectați aceste instrucțiuni, acest lucru poate cauza situații care vă pot pune viața în pericol.
- Nu încercați să deschideți singuri carcasa aparatului.
- Nu introduceți nici un fel de obiecte în carcasa aparatului.
- Nu atingeți ștecherul cu mâinile ude sau umede.
- ⚠ **Pericol de electrocutare!** Nu încercați să reparați singur/ă aparatul. În cazul unei defecțiuni, reparațiile vor fi efectuate întotdeauna numai de personal calificat.
- **Nu utilizați niciodată un aparat defect!** Deconectați aparatul de la priza electrică și contactați distribuitorul în cazul unei defecțiuni.
- **Avertisment!** Nu scufundați părțile electrice ale aparatului în apă sau în alte lichide. Nu țineți niciodată aparatul sub jet de apă.
- Verificați în mod regulat ștecărul și cablul pentru a vă asigura că nu sunt deteriorate. În cazul în care ștecărul sau cablul de alimentare este deteriorat, acesta trebuie înlocuit de agentul de service sau de alt personal calificat similar pentru a evita orice pericol.
- Cablul nu trebuie să intre în contact cu obiecte ascuțite sau fierbinți și trebuie păstrat departe de foc. Pentru a scoate ștecărul din priză, trageți întotdeauna de ștecăr, nu de cablu.
- Asigurați-vă că nimeni nu poate trage din greșeală cablul (sau prelungitorul) și că nimeni nu se poate împiedica de el.
- Supravegheați întotdeauna aparatul atunci când este în funcțiune.
- **Avertisment!** Atât timp cât ștecărul este în priză, aparatul este conectat la sursa de electricitate.
- Opriți aparatul înainte de a scoate ștecărul din priză.
- Nu cărați niciodată aparatul ținându-l de cablu.
- Nu utilizați dispozitive suplimentare care nu sunt livrate împreună cu aparatul.
- Conectați aparatul doar la prize electrice cu intensitatea și frecvența electrice menționate pe eticheta aparatului.

RO



- Conectați cablul de alimentare la o priză electrică ușor accesibilă, astfel încât aparatul să poată fi deconectat imediat în caz de urgență. Scoateți cablul de alimentare din priza electrică pentru a opri complet aparatul. Utilizați cablul de alimentare ca dispozitiv de deconectare.
- Opriti întotdeauna aparatul înainte de a deconecta cablul de alimentare.
- Nu utilizați niciodată accesorii care nu sunt recomandate de către producător. Acestea pot reprezenta un risc de siguranță pentru utilizator și pot deteriora aparatul. Utilizați numai piese și accesorii originale.
- Acest aparat nu trebuie folosit de copii sau persoane care au capacități mentale, senzoriale sau fizice reduse, sau lipsă de experiență și cunoștințe.
- Acest aparat nu trebuie utilizat sub nicio formă de către copii.
- Nu țineți produsul și cablurile sale la îndemâna copiilor.
- Copiii nu trebuie să se joace cu acest produs.
- Deconectați întotdeauna aparatul de la sursa de alimentare în cazul în care este lăsat nesupravegheat, precum și înainte de asamblare, dezasamblare sau curățare.
- Nu lăsați niciodată aparatul nesupravegheat pe parcursul utilizării.

Reguli speciale de siguranță

- Utilizați aparatul numai conform instrucțiunilor prezentului manual.
- Acest aparat trebuie utilizat și instalat de personal calificat, specializat în domeniul bucătăriei industriei alimentare.
- Toate operațiile de întreținere, de instalare și de reparație trebuie efectuate de tehnicieni autorizați calificați, specializați.
- Nu așezați aparatul deasupra sistemelor de încălzire (aparate de gătit ce funcționează cu benzină, cărbune sau electrice etc.). Țineți dispozitivul la distanță de orice suprafețe fierbinți și flăcări deschise. Acționați întotdeauna aparatul pe o suprafață plană, stabilă, curată, rezistentă la căldură și uscată.
- Nu utilizați aparatul în apropierea materialelor inflamabile sau explozive, cardurilor de credit, discurilor magnetice sau radiourilor.
- Dacă este necesar, purtați îmbrăcăminte de protecție, mască sau ochelari de protecție în timpul operării.
- Acest aparat nu este destinat operării prin intermediul unui temporizator extern sau sistem separat de comandă de la distanță.
- Nu șunțați niciodată sistemele de blocare de siguranță ale aparatului.
- **AVERTISMENT:** Mențineți neobstrucționate toate orificiile de ventilație ale aparatului.
- **AVERTISMENT:** Opriti ÎNTOTDEAUNA aparatul și deconectați-l de la sursa de alimentare cu energie electrică înaintea operațiunilor de curățare, întreținere sau depozitare.
- **AVERTIZARE!** Țineți ÎNTOTDEAUNAmâinile, părul lung și îmbrăcăminte la distanță de piesele aflate în mișcare.
- Pentru a asigura ventilația corectă, în timpul utilizării aparatului, asigurați un spațiu liber de cel puțin 20 cm în jurul acestuia.

- **Atenție!** Dacă este necesar, pentru a preveni tragerea neintenționată sau contactul cu suprafața de încălzire, dispuneți cablul de alimentare în condiții de siguranță.
- Nu introduceți mâinile în vas atunci când aparatul se află în funcțiune.
- Nu încărcăți prea multe ingrediente, astfel încât produsele alimentare să nu dea peste.
- **AVERTIZARE!** Nu umpleți vasul deasupra marcatului **MAX**.
- **AVERTIZARE!** Lichidele ce urmează a fi amestecate trebuie să fie la temperatura camerei sau sub aceasta. Dacă intenționați să amestecați lichide calde, asigurați-vă că ați așezat în mod corect capacul vasului folosind, de asemenea, turația joasă pentru prelucrare. Deoarece există risc de arsură, utilizați aparatul cu atenție.
- Nu spălați aparatul cu apă sau jet de apă. Spălarea cu apă poate cauza scurgeri, putând crește riscul de șoc electric. Piesele aparatului nu sunt lavabile în mașina de spălat vase.
- Nu curățați și nu depozitați aparatul până când acesta nu s-a răcit complet.
- Nu deplasați aparatul aflat în funcțiune. Deconectați aparatul atunci când îl deplasați, susținându-l de partea inferioară.
- Pentru a evita supraîncălzirea, nu utilizați aparatul fără a adăuga ingrediente în vasul de amestecare.
- Asigurați-vă că aparatul este oprit (OFF) (0) și butonul de viteză se află în poziția „Low” (viteză scăzută) înainte de a îndepărta vasul.
- **AVERTISMENT:** Aparatul poate produce zgomot peste 85 dB; purtați mijloace adecvate de protecție.
- **AVERTISMENT:** Întotdeauna țineți de vas atunci când porniți aparatul.
- **AVERTISMENT:** În blender se pun doar alimentele; nu lăsați niciodată ustensilele sau capacul transparent să rămână înăuntru cât timp folosiți aparatul.
- **AVERTISMENT:** Întotdeauna aparatul trebuie utilizat cu capacul peste vas; niciodată nu trebuie să rămână descoperit.
- **AVERTISMENT:** Nu folosiți niciodată un vas crăpat; acest lucru poate cauza avaria unității principale.
- **AVERTISMENT:** Nu porniți niciodată aparatul dacă nu are alimente sau lichide în vas; în caz contrar motorul se va avaria.
- **AVERTISMENT:** Nu utilizați niciodată aparatul mai mult de 5 minute; după 5 minute trebuie lăsat să se răcească 15 minute.

Destinația produsului

- Acest aparat este destinat uzului casnic și pentru bufet.
- Aparatul este conceput pentru mixarea alimentelor în scopuri comerciale. Orice altă utilizare poate provoca avarierea aparatului sau accidentarea persoanelor.
- Utilizarea aparatului în orice alt scop reprezintă o utilizare incorectă. Utilizatorul este singurul răspunzător de orice utilizare incorectă a aparatului.



Instalația de împământare

Acest aparat este încadrat în clasa de protecție I și trebuie împământat. Împământarea reduce riscul electrocutării prin asigurarea unui fir de ieșire pentru curentul electric. Acest aparat este

dotat cu un cablu cu fir de împământare cu fișă. Fișa trebuie conectată la o priză instalată corespunzător și împământată.

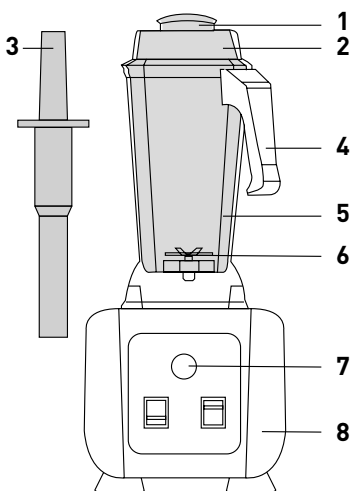
Pregătiri înainte de utilizarea inițială

- Asigurați-vă că aparatul nu este defect. În caz de defecte, contactați furnizorul dumneavoastră imediat și NU utilizați aparatul.
- Îndepărtați întregul ambalaj.
- Curățați aparatul cu apă caldă, un detergent care nu face spumă și o cârpă moale. Clățiți bine și lăsați să se usuce.
- Puneți aparatul pe o suprafață plană și stabilă.
- Lăsați un spațiu liber de 20 cm în jurul aparatului pentru ventilație.
- Poziționați aparatul astfel încât ștecărul să fie accesibil în orice moment.

Aparatul și piesele sale

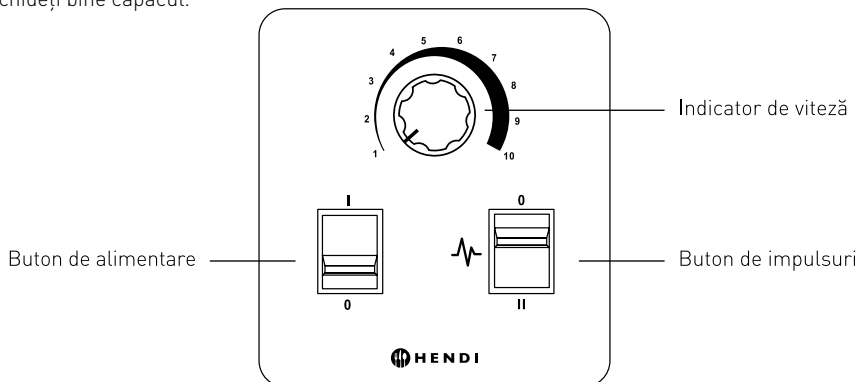
- 1) capac transparent
- 2) capac
- 3) împingător
- 4) mâner cană
- 5) vas
- 6) tăietor
- 7) panou de comandă
- 8) motor

NOTĂ: Piesele marcate cu verde sunt aprobate pentru contactul cu alimentele.



Utilizarea

- Stați întotdeauna în fața aparatului în așa fel încât să ajungeți ușor la panoul de comandă.
- Verificați dacă unitatea motorului este oprită și scoateți-o din priză.
- Introduceți ingredientele în vas.
- Închideți bine capacul.
- Puneți vasul pe unitatea motorului.
- Conectați aparatul la rețea.
- Porniți unitatea motorului.
- **NOTĂ:** Aparatul trebuie pornit întotdeauna la turație joasă.



- Butonul „pornire” (din stânga), de pe unitatea motorului, permite aparatului să funcționeze continuu la viteza variabilă setată cu ajutorul butonului rotativ de viteză (din centru).
- Rotiți butonul rotativ de viteză în sensul acelor de ceasornic pentru a mări viteza și în sens invers pentru a o micșora.
- Butonul „pulsajii” (din dreapta), de pe unitatea motorului, permite funcționarea acestuia la viteza maximă. Motorul se oprește dacă acest buton este eliberat.
- Opriți motorul și așteptați până se oprește complet înainte de a îndepărta recipientul.
- Motorul se va opri automat dacă recipientul este îndepărtat.
- Deconectați ștecărul de alimentare al aparatului de la rețea atunci când nu îl folosiți.

AVERTISMENT: Nu puneți niciodată vasul pe o unitate motor care este pornită. Acest lucru deteriorează prinderile motorului și vasului. Poziționați recipientul peste unitatea motorului doar atunci când motorul este oprit.

Curățarea și întreținerea unității motorului

- Scoateți întotdeauna ștecărul din priză înainte de curățarea aparatului.
- Atenție: Nu scufundați niciodată aparatul în apă sau în vreun alt lichid!
- Curățați exteriorul aparatului cu o cârpă umedă (apă și detergent slab).
- Nu folosiți niciodată agenți de curățare agresivi și/sau abrazivi. Nu folosiți obiecte ascuțite. Nu folosiți benzină sau solvenți! Curățați cu o cârpă umedă și detergent slab dacă este nevoie. Nu folosiți materiale abrazive.



Curățarea și întreținerea vasului

- Turnați în vas apă caldă și un detergent slab, care nu face spumă.
- Puneți capacul pe vas.
- Puneți vasul pe unitatea motorului.
- Porniți motorul la viteză maximă timp de 10-20 de secunde.
- Opriți motorul.
- Luați vasul de pe unitatea motorului.
- Clătiți bine vasul cu apă curată.
- În cazul în care pe cuțit s-au fixat reziduuri, curățați cu atenție folosind un cuțitaș sau o pensetă. Nu curățați niciodată cuțitul cu mâinile goale.
- Uscați vasul la interior și la exterior.
- După curățare dezinfecțați vasul. Aplicați instrucțiunile producătorului dezinfectantului.
- Depozitați vasul cu gura în jos.
- Partea inferioară a vasului nu trebuie să intre niciodată în contact cu niciun fel de fluid!
- **AVERTISMENT:** Nu demontați niciodată componentele vasului și ale unității de tăiere.
- **AVERTISMENT:** Nu curățați niciodată piesele aparatului în mașina de spălat vase.

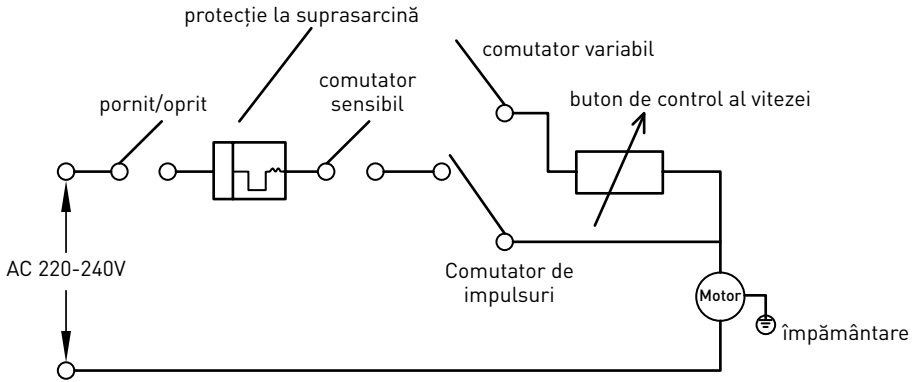
Depanare

Dacă aparatul nu funcționează corespunzător, verificați tabelul de mai jos pentru soluție. Dacă

nu puteți soluționa problema, contactați furnizorul/operatorul de servicii.

Probleme	Cauză posibilă	Soluție posibilă
Aparatul nu funcționează	Nu este alimentată	Verificați conexiunea cablului la priză.
	Cuțitul s-a înțepenit	Apăsăți butonul de resetare din partea de jos a motorului.
	Aparatul s-a supraîncălzit	Scoateți ștecărul din priză și lăsați aparatul să se răcească
	Vasul nu este pus pe unitatea motorului	Opriți aparatul și puneți vasul pe unitatea motorului după care porniți din nou
Aparatul scoate zgomote neobișnuite	Motorul este uzat sau vasul este deteriorat	Contactați furnizorul dumneavoastră.
Aparatul emite un miros ciudat	Motorul s-a ars	Contactați furnizorul dumneavoastră.
Vasul are scurgeri sau alte defecțiuni	Unitatea de tăiere este uzată	Luați legătura cu furnizorul sau înlocuiți vasul cu setul 933668.
Vibrații puternice	Unitatea motorului sau vasul sunt uzate	Luați legătura cu furnizorul sau înlocuiți vasul cu setul 933668.
Aparatul nu taie uniform	Cuțitul este deteriorat	Luați legătura cu furnizorul sau înlocuiți vasul cu setul 933668.
Aparatul funcționează doar când butonul de impulsuri este pornit	Modulul de alimentare este defect	Contactați furnizorul dumneavoastră

Schema electrică (la modelele cu comandă mecanică)



Specificația tehnică

Tensiune și frecvență de funcționare: 220-240V-50/60Hz

Puterea maximă ≈ 1680 W

Dimensiuni: 270x250x(H)550 mm

Volum nominal: 2,5 litri

Greutate netă: aprox. 5,5 kg

Viteză de rotație fără încărcare (rpm):

- Minim: 16,000 +/- 10%

- Maxim: 24,800 +/- 10%

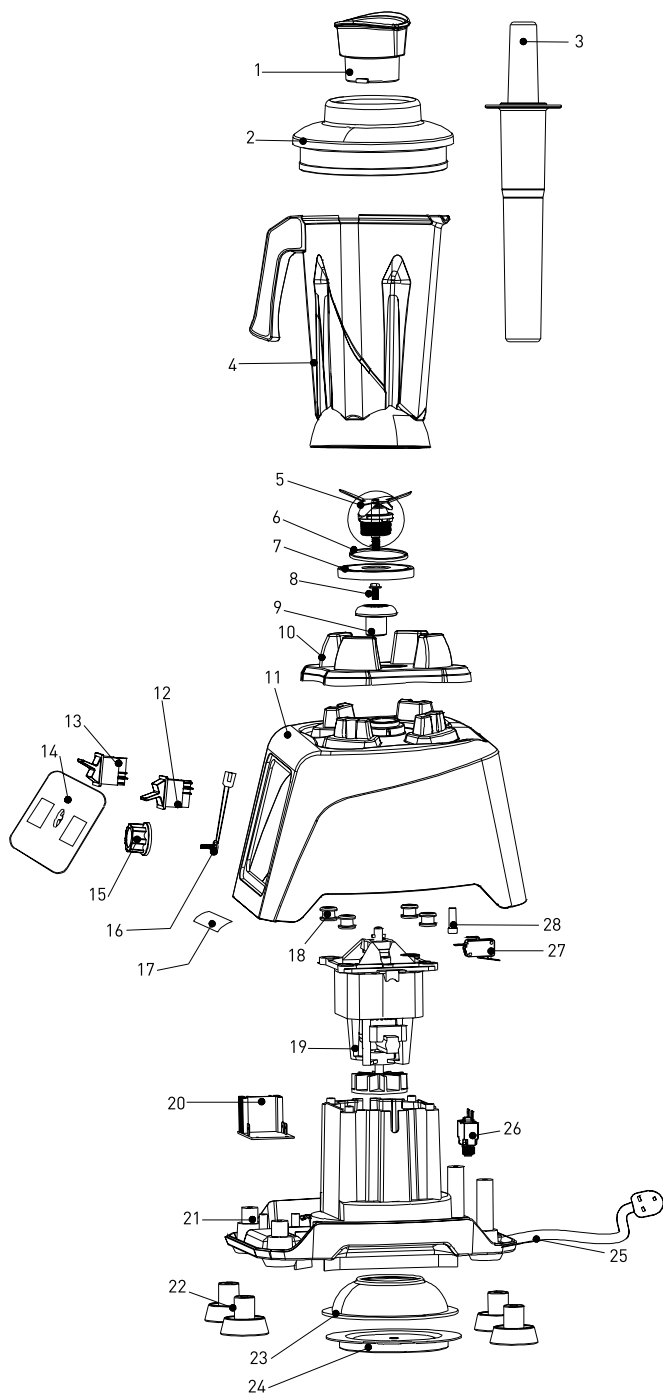
Nivelul de zgomot: >85dB

Clasa de protecție: Clasa I

Material recipient: Tritan (230213), PC (230718)



Desen de ansamblu explodat și lista pieselor



DWG#	Descriere	număr piesă de schimb	Cantitatea	Observații
1	Capac mic	nss	1	Disponibil ca 933787
2	Set capac	933787	1	Inclusiv articolul 1
3	Amestecător	933794	1	
4	Set borcan	933688	1	Inclusiv articolul 1,2,4,5,6,7
5	Set cuțite	933800	1	
6	Garnitură inelară	933817	1	
7	Placă fixă	933824	1	
8	Șurub M4*6	nss	1	Disponibil în 933831
9	Rotitor	933831	1	Inclusiv articolul 8
10	Suport borcan 2,5 l	933848	1	
11	Corp	n/a	1	
12	Comutator pulsații	917091	1	
13	Comutator Pornit/Opri	917060	1	
14	Panou de comandă	n/a	1	
15	Buton rotativ	933893	1	
16	Potențiometru	933909	1	
17	Etichetă avertizare	n/a	1	
18	Amortizor șocuri motor	nss	4	
19	Motor 95*40	933916	1	Inclusiv articolul 18
20	Placă PCB	933855	1	Inclusiv placa de circuite imprimate a filtrului de zgomot
21	Capacul inferior	n/a	1	
22	Picioare din plastic	933862	4	Se vinde la bucată
23	Dispozitiv ghidare aer	n/a	1	
24	Placă dispozitiv ghidare aer	n/a	1	
25	Cablu de alimentare	933923	1	
26	Protecție la supraîncălzire	933930	1	
27	Micro-comutator	207093	1	
28	Bază micro-comutator	n/a	1	

Notă:

n/a -> nu se găsește nss -> nu se vinde separat

Garanție

Orice defecțiune care afectează funcționarea aparatului apărută la mai puțin de un an de la cumpărarea acestuia va fi remediată prin reparație sau înlocuire gratuită, cu condiția ca aparatul să fi fost folosit și întreținut conform instrucțiunilor nu să nu fi fost bruscat sau folosit necorespunzător în vreun fel. Drepturile dumneavoastră legale nu sunt afectate. Dacă apar-

atul este în garanție, menționați când și de unde a fost cumpărat și includeți dovada cumpărării (de ex. chitanța).

Conform politicii noastre de dezvoltare continuă a produsului, ne rezervăm dreptul de a modifica produsul, ambalajul și documentația fără notificare.



Eliminarea și mediul înconjurător

La dezafectarea aparatului, produsul nu trebuie aruncat împreună cu alte deșeuri menajere. În schimb, este responsabilitatea dumneavoastră să eliminați echipamentul uzat prin predarea acestuia la un punct de colectare desemnat. Nerespectarea acestei reguli poate fi penalizată în conformitate cu reglementările aplicabile privind eliminarea deșeurilor. Colectarea separată și reciclarea echipamentului dumneavoastră uzat la momentul debarasării contribuie la conser-

varea resurselor naturale și asigură realizarea reciclării într-un mod care protejează sănătatea ființelor umane și a mediului. Pentru informații suplimentare privind modul în care puteți preda deșeurile dumneavoastră în scopul reciclării, vă rugăm să contactați compania locală de colectare a deșeurilor. Producătorii și importatorii nu își asumă responsabilitatea cu privire la reciclarea, tratarea și eliminarea ecologică a deșeurilor, fie direct, fie prin intermediul unui sistem public.

Большое Вам спасибо за то, что Вы купили оборудование фирмы Hendi. Вам следует внимательно прочитать настоящую инструкцию пользователя во избежание повреждения машины в результате неправильной эксплуатации. Особенно рекомендуем ознакомиться с предупреждениями.

Правила техники безопасности

- Неправильная эксплуатация и неподходящее использование агрегата может привести к его поломке и поранить оператора.
- Это оборудование предназначено для буфета и домашнего использования.
- Оборудование следует использовать точно по назначению. Производитель не несет ответственности за повреждения, вызванные неправильной эксплуатацией или неправильным обслуживанием оборудования.
- Оборудование и электрическую штепсельную вилку следует держать вдали от воды и прочих жидкостей. Если штепсельная вилка попадет в воду, ее следует тут же вытащить из розетки электропитания и обратиться в службу сертифицированного сервиса для проверки устройства. Несоблюдение данных указаний может повлечь за собой угрозу здоровью и жизни обслуживающего персонала.
- Нельзя снимать кожух без особого разрешения.
- Нельзя класть никаких посторонних предметов вовнутрь агрегата.
- Нельзя касаться мокрыми, или влажными руками штепсельной вилки.
- **⚠ Опасность поражения током!** Не следует самостоятельно чинить электроаппаратуру. Любые поломки и неисправности должны устраняться квалифицированным персоналом.
- **Никогда не следует пользоваться поврежденной электроаппаратурой.** Поврежденное устройство нужно отсоединить от электросети и обратиться к продавцу.
- **Предупреждение:** не следует погружать электрических деталей в воду, или иные жидкости. Не омыwać в струе воды.
- Регулярно проверять вилку и провод электропитания на предмет повреждений. Поврежденные вилку или провод передать для ремонта в сервисную точку, или обратиться к квалифицированному электрику во имя предотвращения опасности травм.
- Удостовериться, что провод электропитания не касается острых и горячих предметов; держать электропровод вдали от открытого огня. Для того, чтобы вынуть вилку из розетки всегда нужно тянуть за вилку, а не за электропровод.
- Защитить провод электропитания (удлинитель) от случайного выпадения из розетки. Электропровод прокладывать так, чтобы случайно не зацепиться за него.
- Непрестанно наблюдать за работающей электроаппаратурой.
- **Предупреждение!** Если вилка находится в розетке – это означает, что электроаппаратура считается подключенной к электропитанию.
- Перед тем, как вынуть вилку из розетки, электроаппаратуру следует выключить!
- Никогда нельзя переносить, передвигать электроаппаратуру держа за электропровод.



- Не использовать никаких деталей, аксессуаров, которые не поставляются вместе с этой электроаппаратурой.
- Электроаппаратуру следует подключать исключительно к розетке, в которой имеется напряжение и частота, указанную на щитке электроаппаратуры.
- Вилку следует вставлять в розетку, расположенную в удобном и легкодоступном месте, так чтобы в случае аварии можно бы ее немедленно вынуть. Для полного обесточивания электроаппаратуры ее следует отсоединить от электропитания; для этого следует вынуть вилку, находящуюся на конце провода электропитания, из розетки.
- Перед тем, как вынуть вилку всегда следует помнить о том, чтобы сначала выключить электроаппаратуру!
- Не следует использовать детали, аксессуары, не рекомендуемые производителем данной электроаппаратуры, т.к. использование таких деталей, аксессуаров может создать для пользователя угрозу его здоровью и жизни, а также может привести к поломке электроаппаратуры. Следует всего использовать оригинальные детали, аксессуары.
- Без надлежащего контроля или предварительного обучения эксплуатации оборудования проводимого лицом, отвечающим за безопасную эксплуатацию, оборудованием не могут пользоваться ни дети, ни лица с ограниченными физическими, или психическими возможностями, ни лица, которые не обладают необходимым опытом работы и знаниями в данной области.
- Ни в коем случае нельзя допускать к использованию электроаппаратуры детей.
- Электроаппаратуру следует хранить в месте недоступном для детей.
- Нельзя разрешать детям использовать электроаппаратуру в качестве игрушки.
- Всегда электроаппаратуру следует отсоединить от электропитания, если оставляем ее без надзора, перед монтажом, демонтажем и чисткой.
- Нельзя оставлять работающую электроаппаратуру без надзора.

Особые правила безопасности

- Устройство следует использовать строго в соответствии с настоящим руководством.
- Эксплуатация и установка данного устройства должны производиться специально обученным кухонным персоналом предприятий общественного питания.
- Все работы по техническому обслуживанию, монтажу и ремонту должны выполняться специально обученными квалифицированными техниками.
- Не помещайте устройство на нагревательные приборы (керосиновые, электрические, угольные печи и т. д.). Держите устройство вдали от горячих поверхностей и открытого огня. Устройство следует использовать только на ровной, устойчивой, чистой, сухой и термостойкой поверхности.
- Устройство не следует использовать вблизи от взрывоопасных или воспламеняющихся материалов, кредитных карт, магнитных дисков или радиоустройство.
- При необходимости во время эксплуатации следует носить защитную одежду, ма-

ску или защитные очки.

- Данное устройство не предназначено для использования с внешним таймером или отдельной системой дистанционного управления.
- Никогда не следует отключать блокировочные защитные устройства.
- **ПРЕДУПРЕЖДЕНИЕ.** Все вентиляционные отверстия в корпусе устройства должны быть открыты.
- **ПРЕДУПРЕЖДЕНИЕ.** ВСЕГДА выключайте устройство и отключайте его от источника питания перед чисткой, техническим обслуживанием или помещением на хранение.
- **ПРЕДУПРЕЖДЕНИЕ!** НИКОГДА не допускайте нахождение рук, длинных волос или одежды вблизи движущихся частей.
- Обеспечьте вокруг устройства свободное пространство не менее 20 см для целей вентиляции.
- **Осторожно!** При необходимости следует надежно закрепить кабель питания, чтобы случайно не выдернуть его и не допустить контакта с нагревающейся поверхностью.
- Не помещайте руки в контейнер во время работы устройства.
- Не загружайте в устройство слишком много ингредиентов, чтобы предотвратить переполнение пищевыми продуктами.
- **ПРЕДУПРЕЖДЕНИЕ!** Не заполняйте контейнер до уровня выше отметки **MAX**.
- **ПРЕДУПРЕЖДЕНИЕ!** Смешиваемые жидкости должны иметь комнатную или более низкую температуру. Если вы хотите смешать теплые жидкости, убедитесь, что крышка контейнера плотно закрыта и используйте низкую скорость работы. Будьте осторожны, чтобы избежать ожогов.
- Мытье устройства проточной водой или использование водяной струи при мытье устройства запрещается. Мытье водой воду может привести к появлению тока утечки повысить вероятность поражения током. Никакие детали устройства нельзя мыть в посудомоечной машине.
- Устройство не следует чистить или помещать на хранение, пока оно полностью не остынет.
- Запрещается перемещать включенное устройство. Перед перемещением устройства его следует отключить и держать за низ.
- Устройство не следует использовать устройство без ингредиентов, чтобы избежать перегрева.
- Прежде чем снимать комплект контейнера, убедитесь, что устройство выключено (0) и ручка управления скоростью находится в положении «Низкая».
- **ПРЕДУПРЕЖДЕНИЕ:** Устройство может генерировать шум, превышающий 85 дБ; лицо, обслуживающее устройство, должно иметь необходимую защиту.
- **ПРЕДУПРЕЖДЕНИЕ:** Включая устройство, всегда придерживайте чашу.
- **ПРЕДУПРЕЖДЕНИЕ:** В чашу блендера помещайте только пищу: никогда не оставляйте внутри столовые приборы или другую кухонную утварь, или прозрачную крышку.



- **ПРЕДУПРЕЖДЕНИЕ:** Никогда не используйте устройство, если чаша не закрыта крышкой.
- **ПРЕДУПРЕЖДЕНИЕ:** Никогда не используйте устройство, если чаша протекает - это может привести к повреждению двигателя.
- **ПРЕДУПРЕЖДЕНИЕ:** Никогда не запускайте устройство перед тем, как положить жидкую или твердую пищу в чашу - это может привести к повреждению двигателя.
- **ПРЕДУПРЕЖДЕНИЕ:** Никогда не используйте устройство более 5 минут; после 5 минут устройство должно остыть (примерно в течение 15 минут).

Назначение устройства

- Это оборудование предназначено для буфета и домашнего использования.
- Оборудование предназначено только для измельчения и смешивания пищевых продуктов. Использование устройства для любых других целей может привести к повреждению или травме тела.
- Использование устройства для любых других целей будет рассматриваться, как использование не по назначению. Пользователь будет нести исключительную ответственность за неправильное использование устройства.

Монтаж заземления

Плита является устройством I класса защиты и должна быть заземлена. Заземление снижает риск поражения электрическим током за счет использования отводящего провода. Вилка

должна быть подключена к розетке переменного тока, которая надлежащим образом установлена и заземлена.

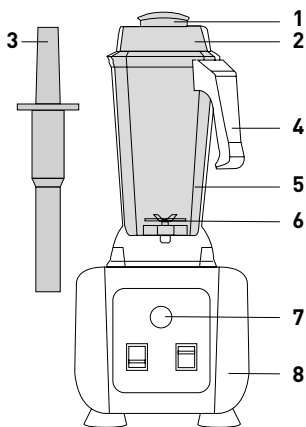
RU

Подготовка к первому использованию

- Убедитесь, что устройство не повреждено. В случае любого повреждения немедленно свяжитесь с вашим поставщиком и НЕ включайте устройство.
- Снимите все элементы упаковки.
- Протрите устройство мягкой тканью с теплой водой и не образующим пену моющим средством. Тщательно промойте и высушите.
- Поместите устройство на ровную и устойчивую поверхность.
- Убедитесь, что вокруг устройства имеется 15 см свободного пространства, чтобы обеспечить надлежащую вентиляцию.
- Поместите устройство таким образом, чтобы обеспечить хороший доступ к вилке.

Детали устройства

- 1) прозрачная крышка
- 2) крышка
- 3) толкатель
- 4) ручка кувшина
- 5) чаша
- 6) комплект ножей
- 7) панель управления
- 8) блок двигателя

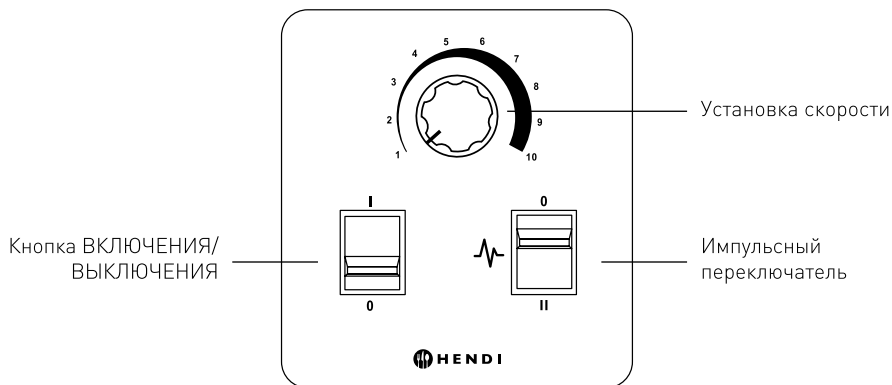


ВНИМАНИЕ: Детали устройства, обозначенные серым цветом, могут вступать в контакт с пищевыми продуктами.



Работа

- Расположите устройство спереди так, чтобы панель управления была легко доступна.
- Убедитесь, что мотор выключен и отключите его от электросети.
- Поместите ингредиенты в чашу.
- Плотно закройте крышку.
- Поместите чашу на блок двигателя.
- Подключите устройство к источнику питания.
- Включите блок двигателя.
- **ПРИМЕЧАНИЕ:** Начните смешивание с самой низкой скоростью.



- Кнопка „включения / выключения“ (слева) блока двигателя обеспечивает непрерывную работу устройства с разной скоростью, в соответствии с настройкой ручки регулирования скоростью (в центре).
- Поверните ручку по часовой стрелке, чтобы увеличить скорость двигателя или против часовой стрелки, чтобы уменьшить скорость.
- Импульсный переключатель (справа) запускает двигатель при максимальных оборотах. Двигатель останавливается, когда кнопка отпускается.
- Выключите двигатель и дождитесь, пока прибор полностью перестанет работать, прежде чем снять чашу.
- После снятия чаши двигатель автоматически остановится.
- Если блендер не используется, отсоедините его от источника питания.

ПРЕДУПРЕЖДЕНИЕ: Никогда не кладите чашу на работающий блок двигателя. Это может привести к повреждению муфты двигателя и чаши. Чашу можно устанавливать на блоке двигателя только при выключенном двигателе.

Очистка и техническое обслуживание блока двигателя

- Перед мытьем всегда отсоединяйте устройство от источника питания.
- Примечание. Никогда не погружайте устройство в воду или любую другую жидкость!
- Очистите внешний корпус влажной тканью (используйте водный раствор и мягкое моющее средство).
- Никогда не используйте агрессивные чистящие средства и / или абразивные материалы. Не используйте острые и / или заостренные предметы. Не используйте бензин или растворители! Очищайте устройство влажной тканью и чистящим средством. Не используйте абразивы.



Очистка и техническое обслуживание чаши

- Влейте в чашу теплую воду с мягким, не об-разующим пену моющим средством.
- Накройте чашу крышкой.
- Поместите чашу на блок двигателя.
- Включите двигатель на максимальные обо-роты в течение 10-20 секунд.
- Выключите блок двигателя.
- Снимите чашу с блока двигателя.
- Тщательно промойте чашу чистой водой.
- Если на лезвиях ножей останутся остатки пищи, осторожно очистите лезвия неболь-шим ножом или пинцетом. Никогда не чи-стите лезвия голыми руками.
- Высушите как внутреннюю, так и наружную поверхности чаши.
- После очистки, дезинфицируйте чашу. Сле-дуйте инструкциям производителя для де-зинфицирующего средства.
- Храните чашу вверх дном.
- Дно чаши не может соприкасаться с любой жидкостью.
- **ПРЕДУПРЕЖДЕНИЕ:** Никогда не разбирайте детали чаши или комплекта ножей.
- **ПРЕДУПРЕЖДЕНИЕ:** Не мойте никакие де-тали устройства в посудомоечной машине.

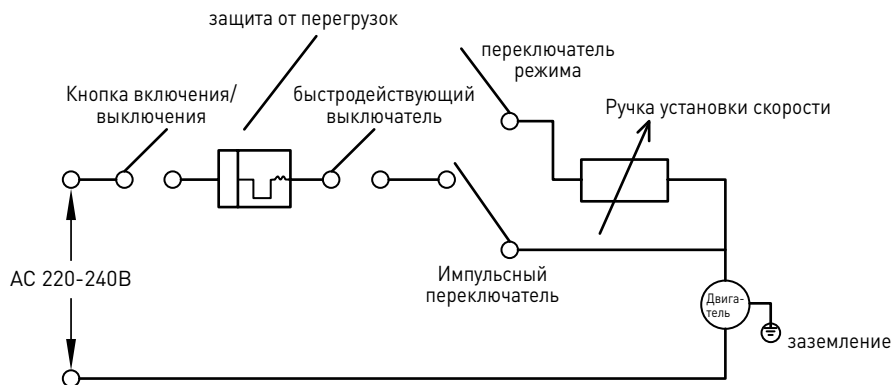
Диагностика и устранение неисправностей

Если устройство не работает надлежащим об-разом, используйте следующую таблицу для поиска решения. Если вы не можете решить

проблему, свяжитесь с поставщиком / сервис-ным специалистом.

Проблемы	Возможная причина	Возможное решение
Устройство не работает.	Отсутствует питание	Убедитесь, что вилка вставлена правильно в розетку.
	Комплект ножей заблокирован.	Нажмите кнопку сброса, распо-ложенную в нижней части блока двигателя.
	Устройство перегрелось.	Отключите устройство от источника питания и дайте ему полностью охладиться.
	Чаша не была установлена на блок двигателя.	Выключите устройство, поместите чашу на блок двигателя и снова включите устройство
Устройство выдает нестандарт-ные звуки	Изношен двигатель или чаша повреждена	Свяжитесь с поставщиком.
Из устройства исходит неприят-ный запах	Перегорел двигатель	Свяжитесь с поставщиком.
Чаша протекает или поврежде-на иным образом	Изношен комплект ножей	Свяжитесь с поставщиком или замените чашу (комплект запасных частей № 933668).
Устройство сильно вибрирует	Изношен двигатель или чаша повреждена	Свяжитесь с поставщиком или замените чашу (комплект запасных частей № 933668).
Устройство не равномерно раз-мельчает продукты питания	Повреждены ножи	Свяжитесь с поставщиком или замените чашу (комплект запасных частей № 933668).
Устройство запускается только после использования импуль-сного переключателя	Поврежден модуль питания	Свяжитесь с поставщиком

Электрическая схема (механическая модель управления)



Технические характеристики

Напряжение питания: 220-240В~ 50/60Гц

Пиковая мощность: до 1680 Вт

Размеры: 270x250x(выс.)550 мм

Номинальная ёмкость: 2,5 литра

Вес нетто: прилб. 5,5 кг

Частота вращения без нагрузки (об./мин):

- Минимум: 16,000 +/- 10%

- Максимум: 24,800 +/- 10%

Уровень шума: >85дБ

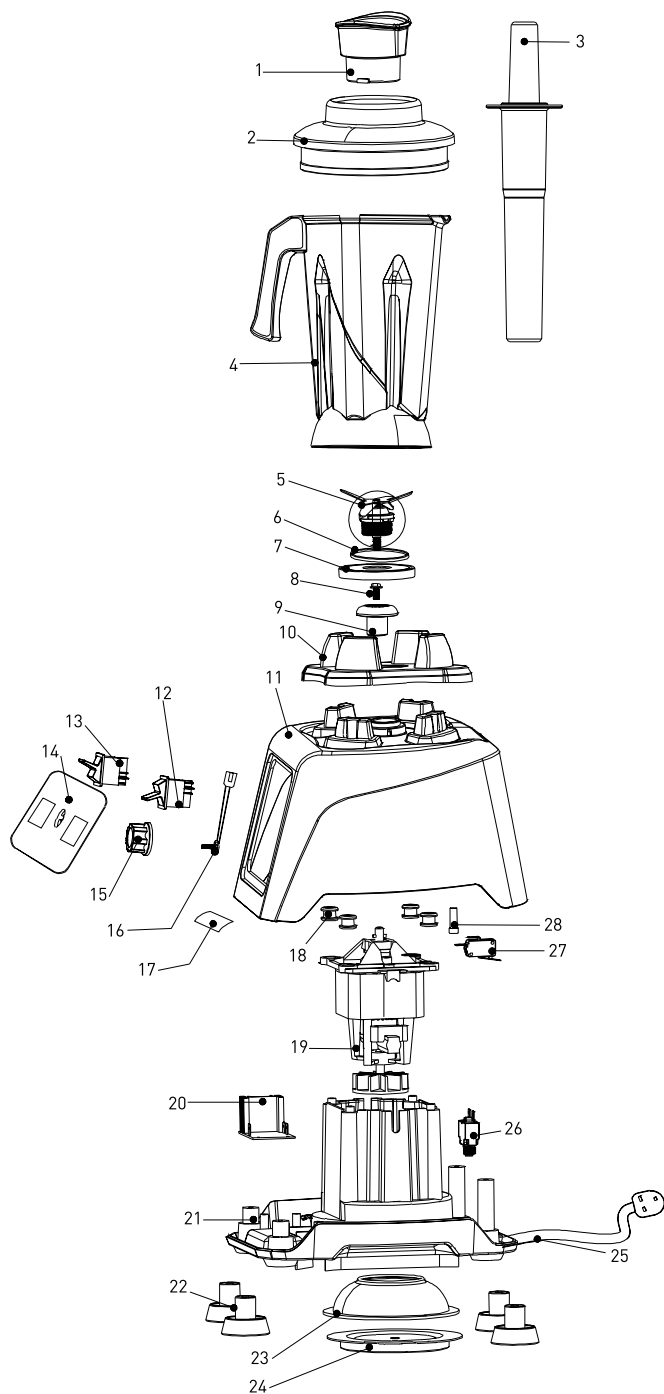
Степень защиты: I Класс

Кувшин из пластика: Тритан (230213), Поликарбонат (230718)

RU



Развернутый чертеж и список деталей



RU



№ рис.	Описание	Номер запасной детали	Количество	Замечание
1	Маленькая крышка	nss	1	Доступен, как 933787
2	Комплект крышек	933787	1	Содержит 1
3	Прижим	933794	1	
4	Комплект кувшинов	933688	1	Содержит 1,2,4,5,6,7
5	Комплект ножей	933800	1	
6	Уплотнительное кольцо	933817	1	
7	Основание	933824	1	
8	Винт М4*6	nss	1	Доступен в 933831
9	Вращающееся устройство	933831	1	Содержит 8
10	Основание кувшина 2,5 л	933848	1	
11	Корпус	n/a	1	
12	Импульсный переключатель	917091	1	
13	Включатель/Выключатель	917060	1	
14	Панель управления двигателя	n/a	1	
15	Ручка	933893	1	
16	Потенциометр	933909	1	
17	Предупреждающая наклейка	n/a	1	
18	Защита двигателя от ударов	nss	4	
19	Двигатель 95*40	933916	1	Содержит 18
20	Печатная плата	933855	1	Имеет помехоподавляющий фильтр ПХБ
21	Нижняя накладка	n/a	1	
22	Пластиковая подставка	933862	4	Продается поштучно
23	Воздухоотражатель	n/a	1	
24	Пластина воздухоотражателя	n/a	1	
25	Шнур питания	933923	1	
26	Защита от перегрузки	933930	1	
27	Микропереключатель	207093	1	
28	Основание микропереключателя	n/a	1	

Внимание:

n/a -> недоступный nss -> недоступный для продажи, как самостоятельный элемент

Гарантия

Любая неполадка или поломка, которая влечет за собой неправильную работу устройства, которая будет выявлена в течение первого года от даты покупки, будет устранена бесплатно, или же все устройство будет заменено новым, если оно эксплуатировалось и обслуживалось согласно инструкции по обслуживанию и не использовалось неправильно, или в разрез с назначением. Данное положение ни коей мере не нарушает иных прав потребителя, изложенных в законодательстве. В случае заявления

устройства в ремонт или на замену в рамках гарантии, следует указать место и дату покупки устройства и приложить счет, или чековую квитанцию.

Согласно нашей политике совершенствования наших продуктов оставляем за собой право на ввод изменений в конструкцию, упаковку и в технические параметры, указываемые в технической документации без предупреждения.



Утилизация и защита окружающей среды

В случае вывода оборудования из эксплуатации, продукт нельзя утилизировать вместе с другими бытовыми отходами. Пользователь несет ответственность за передачу оборудования в соответствующий пункт приема техники бывшей в употреблении. Несоблюдение вышеуказанного положения может привести к наложению штрафов в соответствии с действующими правилами в отношении утилизации отходов. Селективный сбор и утилизация использованного оборудования способствуют

сохранению природных ресурсов и обеспечивают рециркуляцию таким образом, который не вреден для здоровья и окружающей среды. Для получения дополнительной информации о том, где можно отдать использованное оборудование для утилизации, обратитесь в местную компанию по сбору отходов. Производитель и импортер не несут ответственности за рециркуляцию и переработку отходов экологически безопасным способом, как непосредственно, так и в рамках государственной системы.

Αγαπητέ πελάτη,

Ευχαριστούμε που αγοράσατε αυτό το προϊόν Hendif. Διαβάστε προσεκτικά το παρόν εγχειρίδιο πριν συνδέσετε τη συσκευή, προκειμένου να προλάβετε πιθανή βλάβη που μπορεί να οφείλεται σε λανθασμένη χρήση. Διαβάστε ιδίως τους κανονισμούς ασφαλείας πολύ προσεκτικά.

Κανονισμοί ασφαλείας

- Η συσκευή ενδείκνυται για χρήση σε μπουφέ και οικιακή χρήση.
- Η συσκευή πρέπει να χρησιμοποιείται μόνο για τον σκοπό για τον οποίο προορίζεται και σχεδιάστηκε. Ο κατασκευαστής δεν ευθύνεται για τυχόν ζημιές που προκλήθηκαν από εσφαλμένη λειτουργία και ακατάλληλη χρήση.
- Κρατήστε τη συσκευή και το βύσμα μακριά από νερό και άλλα υγρά. Σε περίπτωση που η συσκευή πέσει μέσα σε νερό, αφαιρέστε αμέσως το βύσμα από την πρίζα και μην τη χρησιμοποιήσετε μέχρι να ελεγχθεί η συσκευή από πιστοποιημένο τεχνικό. Η μη τήρηση των οδηγιών ενδέχεται να προκαλέσει κίνδυνο προς τη ζωή.
- Μην επιχειρήσετε ποτέ να ανοίξετε μόνοι σας το περίβλημα της συσκευής.
- Μην εισάγετε αντικείμενα στο περίβλημα της συσκευής.
- Μην αγγίζετε το βύσμα με υγρά χέρια.
- ⚠ **Κίνδυνος ηλεκτροπληξίας!** Μην επιχειρήσετε να επισκευάσετε μόνοι σας τη συσκευή. Σε περίπτωση δυσλειτουργίας, οι επισκευές πρέπει να διενεργούνται μόνο από εξειδικευμένο προσωπικό.
- **Μην χρησιμοποιείτε ποτέ συσκευή με βλάβη!** Σε περίπτωση βλάβης, αποσυνδέστε τη συσκευή από την πρίζα και επικοινωνήστε με τον πωλητή.
- **Προειδοποίηση!** Μην βυθίζετε τα ηλεκτρικά μέρη της συσκευής σε νερό ή άλλα υγρά. Μην βάζετε ποτέ τη συσκευή κάτω από τρεχούμενο νερό.
- Ελέγχετε τακτικά το βύσμα και το καλώδιο τροφοδοσίας για τυχόν ζημιές. Εάν το βύσμα ή το καλώδιο τροφοδοσίας είναι κατεστραμμένο, πρέπει να αντικατασταθεί από τεχνικό σέρβις ή εξειδικευμένα άτομα για την αποφυγή τυχόν κινδύνου ή τραυματισμού.
- Βεβαιωθείτε ότι το καλώδιο δεν έρχεται σε επαφή με αιχμηρά ή θερμά αντικείμενα και κρατήστε το μακριά από φωτιά. Για να βγάλετε το βύσμα από την πρίζα, να τραβάτε πάντα το βύσμα και όχι το καλώδιο.
- Βεβαιωθείτε ότι το καλώδιο (ή το καλώδιο επέκτασης) είναι τοποθετημένο έτσι ώστε να μην προκαλέσει κίνδυνο να σκοντάψει κανείς.
- Να προσέχετε πάντα τη συσκευή κατά τη χρήση.
- **Προειδοποίηση!** Όσο το βύσμα είναι στην πρίζα, η συσκευή είναι συνδεδεμένη στην πηγή τροφοδοσίας.
- Απενεργοποιήστε τη συσκευή πριν τραβήξετε το βύσμα από την πρίζα.
- Ποτέ μην μεταφέρετε τη συσκευή από το καλώδιο.
- Μην χρησιμοποιείτε συσκευές που δεν παρέχονται μαζί με τη συσκευή.
- Συνδέστε τη συσκευή μόνο σε ηλεκτρική πρίζα με τάση και συχνότητα που αναφέρονται στην ετικέτα της συσκευής.

GR



- Συνδέστε το βύσμα σε μια εύκολα προσβάσιμη ηλεκτρική πρίζα έτσι ώστε σε περίπτωση έκτακτης ανάγκης η συσκευή να μπορεί να αποσυνδεθεί αμέσως. Για να απενεργοποιήσετε πλήρως τη συσκευή, βγάλτε το βύσμα από την πρίζα.
- Απενεργοποιείτε πάντα τη συσκευή πριν αποσυνδέσετε το βύσμα.
- Μην χρησιμοποιείτε ποτέ εξαρτήματα διαφορετικά από αυτά που συνιστώνται από τον κατασκευαστή. Σε αντίθετη περίπτωση, μπορεί να δημιουργηθεί κίνδυνος για τον χρήστη και να προκληθεί ζημιά στη συσκευή. Χρησιμοποιείτε μόνο αυθεντικά εξαρτήματα και αξεσουάρ.
- Αυτή η συσκευή δεν προορίζεται για χρήση από άτομα (συμπεριλαμβανομένων παιδιών) με μειωμένες σωματικές, αισθητήριες ή διανοητικές ικανότητες ή με έλλειψη πείρας και γνώσης.
- Αυτή η συσκευή δεν πρέπει, σε καμία περίπτωση, να χρησιμοποιείται από παιδιά.
- Κρατήστε τη συσκευή και το καλώδιο μακριά από παιδιά.
- Να αποσυνδέετε πάντα τη συσκευή από το ρεύμα εάν αφήνεται χωρίς επιτήρηση ή δεν χρησιμοποιείται και πριν από εργασίες συναρμολόγησης, αποσυναρμολόγησης ή καθαρισμού.
- Μην αφήνετε ποτέ τη συσκευή χωρίς επιτήρηση ενώ βρίσκεται σε λειτουργία.

Ειδικοί Κανονισμοί Ασφαλείας

- Χρησιμοποιείτε το μηχάνημα μόνο όπως περιγράφεται σε αυτό το εγχειρίδιο.
- Αυτό το μηχάνημα πρέπει να λειτουργεί και να εγκαθίσταται από εξειδικευμένο εκπαιδευμένο προσωπικό στην κουζίνα των επαγγελματιών σίτισης.
- Όλες οι εργασίες συντήρησης, εγκατάστασης και επισκευής πρέπει να εκτελούνται από εξειδικευμένους εκπαιδευμένους εξουσιοδοτημένους τεχνικούς.
- Μην τοποθετείτε το μηχάνημα σε θερμαντικά στοιχεία (βενζίνη, ηλεκτρική κουζίνα, ψησταριά, κ.λπ.). Κρατήστε τη συσκευή μακριά από θερμές επιφάνειες και ανοιχτές φλόγες. Λειτουργείτε πάντα το μηχάνημα σε επίπεδη, σταθερή, καθαρή, ανθεκτική στη θερμότητα, στεγνή επιφάνεια.
- Μην χρησιμοποιείτε το μηχάνημα κοντά σε εκρηκτικά ή εύφλεκτα υλικά, πιστωτικές κάρτες, μαγνητικούς δίσκους ή ραδιόφωνα.
- Να φοράτε προστατευτικό ρουχισμό, μάσκα ή προστατευτικά γυαλιά, κατά τη διάρκεια της λειτουργίας.
- Αυτό το μηχάνημα δεν προορίζεται για λειτουργία με εξωτερικό χρονοδιακόπτη ή ξεχωριστό σύστημα τηλεχειρισμού.
- Μην παραβιάζετε ποτέ τυχόν μηχανισμούς ασφαλείας του μηχανήματος.
- **ΠΡΟΕΙΔΟΠΟΙΗΣΗ:** Διατηρείτε όλα τα ανοίγματα εξερισμού της συσκευής καθαρά από εμπόδια.
- **ΠΡΟΕΙΔΟΠΟΙΗΣΗ:** Σβήνετε **ΠΑΝΤΑ** το μηχάνημα και βγάλτε το από την πρίζα πριν από τον καθαρισμό, τη συντήρηση ή την αποθήκευση.
- **ΠΡΟΕΙΔΟΠΟΙΗΣΗ!** Φυλάτε **ΠΑΝΤΑ** τα χέρια, τα μακριά μαλλιά και τα ρούχα μακριά από τα κινούμενα μέρη.
- Αφήστε τουλάχιστον 20 cm απόσταση γύρω από τη συσκευή για αερισμό κατά τη χρήση.

- **Προσοχή!** Περάστε με ασφάλεια το καλώδιο τροφοδοσίας, εάν είναι απαραίτητο, για να αποφύγετε το ακούσιο τράβηγμα ή την επαφή με την επιφάνεια θέρμανσης.
- Μην τοποθετείτε τα χέρια σας στο δοχείο όταν λειτουργεί το μηχάνημα.
- Μην βάζετε πάρα πολλά συστατικά για να αποφύγετε την υπερχειλίση των τροφίμων.
- **ΠΡΟΕΙΔΟΠΟΙΗΣΗ!** Μην γεμίζετε πάνω από την ένδειξη **MAX.** στο δοχείο.
- **ΠΡΟΕΙΔΟΠΟΙΗΣΗ!** Τα υγρά που θα αναμειχθούν πρέπει να βρίσκονται σε θερμοκρασία περιβάλλοντος ή χαμηλότερη από αυτή. Εάν πρόκειται να αναμίξετε ζεστά υγρά, βεβαιωθείτε ότι το καπάκι του δοχείου είναι σωστά τοποθετημένο και χρησιμοποιήστε χαμηλή ταχύτητα για επεξεργασία. Προσοχή, Κίνδυνος εγκαυμάτων.
- Μην πλένετε το μηχάνημα με νερό ή με πίδακα νερού. Το πλύσιμο με νερό μπορεί να προκαλέσει διαρροή και να αυξήσει τον κίνδυνο ηλεκτροπληξίας. Κανένα εξάρτημα δεν είναι ασφαλές για πλυντήριο πιάτων.
- Μην καθαρίζετε και μην αποθηκεύετε το μηχάνημα, εκτός εάν έχει κρυώσει εντελώς.
- Μην μετακινείτε το μηχάνημα ενώ βρίσκεται σε λειτουργία. Αποσυνδέστε το μηχάνημα από την πρίζα όταν το μετακινείτε και κρατήστε το από κάτω.
- Μην χρησιμοποιείτε το μηχάνημα χωρίς τρόφιμα για να αποφύγετε την υπερθέρμανση.
- Βεβαιωθείτε ότι το μηχάνημα είναι ΣΒΗΣΤΟ (θέση 0) και ότι ο επιλογέας ταχύτητας είναι στη θέση «Low-Χαμηλή» πριν αφαιρέσετε το δοχείο.
- **ΠΡΟΕΙΔΟΠΟΙΗΣΗ:** Η συσκευή μπορεί να παράγει επίπεδα θορύβου που υπερβαίνουν τα 85dB γι' αυτό φοράτε προστατευτικά ακοής.
- **ΠΡΟΕΙΔΟΠΟΙΗΣΗ:** Κρατάτε πάντα την κανάτα όταν ξεκινάτε τη λειτουργία της συσκευής.
- **ΠΡΟΕΙΔΟΠΟΙΗΣΗ:** Τοποθετείτε μόνο τρόφιμα μέσα στο μπλέντερ. Μην αφήνετε σκεύη ή το διαφανές πώμα μέσα στην κανάτα όταν χρησιμοποιείτε τη συσκευή.
- **ΠΡΟΕΙΔΟΠΟΙΗΣΗ:** Χρησιμοποιείτε τη συσκευή έχοντας πάντα τοποθετημένο το καπάκι επάνω στην κανάτα και ποτέ χωρίς αυτό.
- **ΠΡΟΕΙΔΟΠΟΙΗΣΗ:** Μην χρησιμοποιείτε την κανάτα αν παρουσιάζει διαρροές γιατί υπάρχει κίνδυνος βλάβης της μονάδας μοτέρ.
- **ΠΡΟΕΙΔΟΠΟΙΗΣΗ:** Ποτέ μην χρησιμοποιείτε τη συσκευή χωρίς φαγητό ή υγρό μέσα στην κανάτα καθώς ενδέχεται να προκληθεί ζημιά στο μοτέρ.
- **ΠΡΟΕΙΔΟΠΟΙΗΣΗ:** Μην χρησιμοποιείτε ποτέ τη συσκευή για περισσότερα από 5 λεπτά συνεχόμενα. Μετά από χρήση 5 λεπτών, αφήστε τη συσκευή να κρυώσει για 15 λεπτά.

Προβλεπόμενη χρήση

- Η συσκευή ενδείκνυται για χρήση σε μπουφέ και οικιακή χρήση.
- Αυτή η συσκευή έχει σχεδιαστεί για ανακάτεμα και ανάμιξη τροφίμων. Οποιαδήποτε άλλη χρήση μπορεί να προκαλέσει ζημιά στη συσκευή ή τραυματισμό.
- Η χρήση της συσκευής για οποιονδήποτε άλλο σκοπό θεωρείται εσφαλμένη. Ο χρήστης είναι αποκλειστικά υπεύθυνος για την μη κατάλληλη χρήση της συσκευής.



Γείωση

Αυτή η συσκευή ταξινομείται στην κλάση προστασίας Ι και πρέπει να συνδέεται με γείωση προστασίας. Η γείωση μειώνει τον κίνδυνο ηλεκτροπληξίας παρέχοντας ένα καλώδιο διαφυγής για το ηλεκτρικό ρεύμα. Αυτή η συσκευή είναι εξοπλισμένη με καλώδιο που φέρει καλώδιο γείωσης με βύσμα γείωσης. Το βύσμα πρέπει να είναι συνδεδεμένο σε σωστά τοποθετημένη και γειωμένη πρίζα.

Προετοιμασία πριν από την πρώτη χρήση

- Βεβαιωθείτε ότι η συσκευή δεν φέρει ζημιές. Σε περίπτωση ζημιάς, επικοινωνήστε αμέσως με τον προμηθευτή σας και ΜΗΝ χρησιμοποιήσετε τη συσκευή.
- Αφαιρέστε όλο το υλικό συσκευασίας.
- Καθαρίστε τη συσκευή με χλιαρό νερό, ένα μη αφριστικό απορρυπαντικό και ένα μαλακό πανί. Ξεπλύνετε και στεγνώστε καλά τη συσκευή.

• Τοποθετήστε τη συσκευή σε επίπεδη και ανθεκτική επιφάνεια.

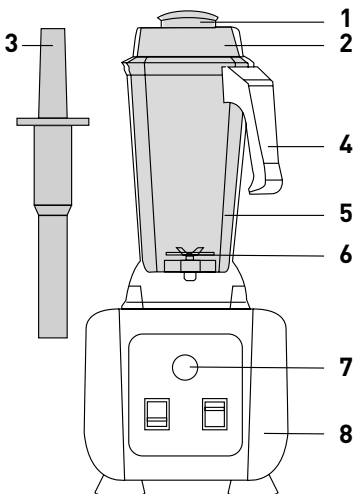
• Αφήστε 20 cm ελεύθερο χώρο γύρω από τη συσκευή για λόγους αερισμού.

• Τοποθετήστε τη συσκευή με τέτοιο τρόπο ώστε η πρίζα να είναι πάντα προσβάσιμη.

Συσκευή και εξαρτήματα

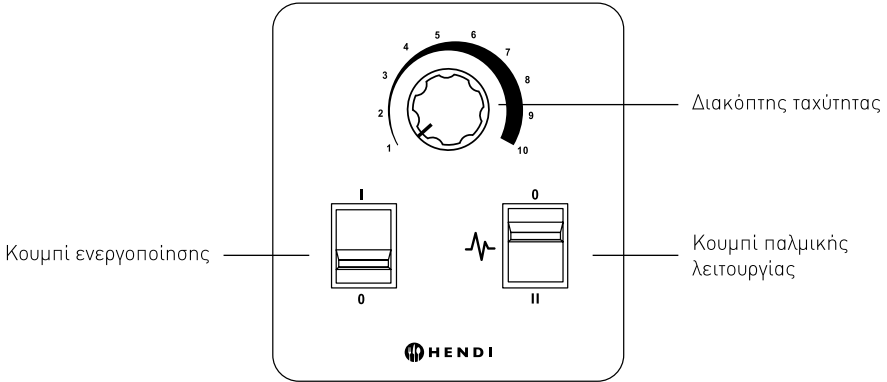
- 1) διαφανές πώμα
- 2) καπάκι
- 3) εργαλείο ώθησης
- 4) λαβή
- 5) κανάτα
- 6) λεπίδες κοπής
- 7) πίνακας ελέγχου
- 8) μονάδα μοτέρ

ΣΗΜΕΙΩΣΗ: Τα εξαρτήματα που είναι επισημασμένα με γκρι χρώμα, είναι εγκεκριμένα για επαφή με τρόφιμα.



Λειτουργία

- Να στέκεστε πάντα μπροστά από τη συσκευή με τέτοιο τρόπο ώστε να είναι εύκολη η πρόσβαση στον πίνακα ελέγχου.
- Βεβαιωθείτε ότι η μονάδα μοτέρ είναι απενεργοποιημένη και αποσυνδέστε την από την πρίζα.
- Συνδέστε τη συσκευή στην πρίζα.
- Τοποθετήστε τα τρόφιμα στην κανάτα.
- Κλείστε καλά το καπάκι.
- Τοποθετήστε την κανάτα επάνω στη μονάδα μοτέρ.
- Ενεργοποιήστε τη μονάδα μοτέρ.
- **ΣΗΜΕΙΩΣΗ:** Να ξεκινάτε πάντα με χαμηλή ταχύτητα.



- Το κουμπί ενεργοποίησης (αριστερό κουμπί) στη μονάδα μοτέρ επιτρέπει τη συνεχή λειτουργία της συσκευής σε μεταβλητή ταχύτητα, σύμφωνα με τη ρύθμιση του διακόπτη ταχύτητας (κεντρικό κουμπί).
- Περιστρέψτε δεξιόστροφα τον διακόπτη ταχύτητας για να αυξήσετε την ταχύτητα και αριστερόστροφα για να την μειώσετε.
- Το κουμπί παλμικής λειτουργίας (δεξιό κουμπί) στη μονάδα μοτέρ επιτρέπει τη λειτουργία του

μοτέρ σε πλήρη ταχύτητα. Το μοτέρ σταματά αν απελευθερώσετε το κουμπί.

- Απενεργοποιήστε το μοτέρ και περιμένετε μέχρι να σταματήσει τελειώς προτού αφαιρέσετε την κανάτα.
- Το μοτέρ θα απενεργοποιηθεί αυτόματα εάν αφαιρεθεί η κανάτα.
- Αποσυνδέετε τη συσκευή από την πρίζα όταν δεν την χρησιμοποιείτε.

ΠΡΟΕΙΔΟΠΟΙΗΣΗ: Μην τοποθετείτε ποτέ την κανάτα επάνω σε ενεργοποιημένη μονάδα μοτέρ. Διαφορετικά θα προκληθεί ζημιά στο συμπλέκτη της μονάδας μοτέρ και στην κανάτα. Τοποθετήστε την κανάτα στη μονάδα μοτέρ μόνο εάν το μοτέρ είναι απενεργοποιημένο.

Καθαρισμός και συντήρηση της μονάδας μοτέρ

- Αφαιρέστε το βύσμα από την πρίζα προτού καθαρίσετε τη συσκευή.
- Προσοχή: Μην βυθίζετε ποτέ τη συσκευή στο νερό ή σε άλλο υγρό!
- Καθαρίζετε την εξωτερική επιφάνεια της συσκευής με ένα υγρό πανί (νερό με ήπιο καθαριστικό).
- Ποτέ μην χρησιμοποιείτε επιθετικά ή/και λειαντικά καθαριστικά. Μην χρησιμοποιείτε αιχμηρά ή/και κοφτερά αντικείμενα. Μην χρησιμοποιείτε βενζίνη ή διαλύτες! Καθαρίστε με ένα υγρό πανί και ήπιο απορρυπαντικό, εάν είναι απαραίτητο. Μην χρησιμοποιείτε λειαντικά υλικά.



Καθαρισμός και συντήρηση της κανάτας

- Βάλτε ζεστό νερό και ένα ήπιο μη αφριστικό απορρυπαντικό στην κανάτα.
- Τοποθετήστε το καπάκι.
- Τοποθετήστε την κανάτα επάνω στη μονάδα μοτέρ.
- Ενεργοποιήστε το μοτέρ σε πλήρη ταχύτητα για 10-20 δευτερόλεπτα.
- Απενεργοποιήστε το μοτέρ.
- Αφαιρέστε την κανάτα από τη μονάδα μοτέρ.
- Ξεπλύνετε καλά την κανάτα με καθαρό νερό.
- Σε περίπτωση υπολειμμάτων στις λεπίδες κοπής, καθαρίστε τις προσεκτικά με ένα μικρό μαχαίρι ή τοιμπιδάκι. Μην καθαρίζετε ποτέ τις λεπίδες κοπής με γυμνά χέρια.
- Στεγνώστε το εσωτερικό και εξωτερικό της κανάτας.
- Μετά τον καθαρισμό, απολυμάνετε την κανάτα. Χρησιμοποιήστε τις οδηγίες του κατασκευαστή του απολυμαντικού.
- Αποθηκεύστε ανάποδα την κανάτα.
- Η κάτω πλευρά της κανάτας δεν πρέπει ποτέ να έρθει σε επαφή με οποιοδήποτε υγρό!
- ΠΡΟΕΙΔΟΠΟΙΗΣΗ: Μην αποσυρμαολογείτε ποτέ τα εξαρτήματα της κανάτας και τις λεπίδες κοπής.
- ΠΡΟΕΙΔΟΠΟΙΗΣΗ: Μην πλένετε ποτέ τα μέρη της συσκευής στο πλυντήριο πιάτων.

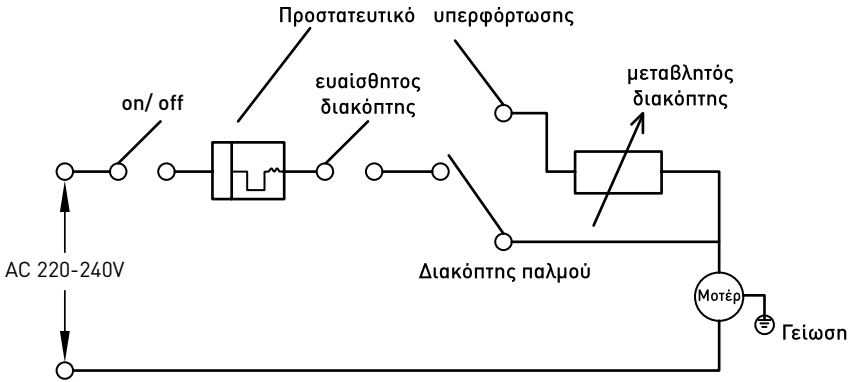
Αντιμετώπιση προβλημάτων

Εάν η συσκευή δεν λειτουργεί σωστά, ελέγξτε τον παρακάτω πίνακα για τη λύση. Εάν εξακολουθείτε

να μη μπορείτε να επιλύσετε το πρόβλημα, επικοινωνήστε με τον προμηθευτή/κέντρο σέρβις.

Προβλήματα	Πιθανά αίτια	Πιθανή λύση
Η συσκευή δεν λειτουργεί	Δεν υπάρχει ισχύς	Ελέγξτε εάν το βύσμα είναι συνδεδεμένο στην πρίζα.
	Οι λεπίδες κοπής έχουν κολλήσει	Πατήστε το κουμπί επανεκκίνησης στην κάτω πλευρά της μονάδας μοτέρ.
	Η συσκευή έχει υπερθερμανθεί	Αφαιρέστε το βύσμα από την πρίζα και αφήστε τη συσκευή να κρυώσει
	Δεν έχει τοποθετηθεί η κανάτα επάνω στη μονάδα μοτέρ	Θέστε τη συσκευή σε λειτουργία, τοποθετήστε την κανάτα επάνω στη μονάδα μοτέρ και δοκιμάστε ξανά
Η συσκευή παράγει έναν παράξενο θόρυβο	Το μοτέρ έχει υποστεί φθορές ή η κανάτα έχει υποστεί ζημιά	Επικοινωνήστε με τον προμηθευτή σας.
Εξέρχεται από τη συσκευή μια περίεργη οσμή	Η μονάδα μοτέρ έχει καεί	Επικοινωνήστε με τον προμηθευτή σας.
Η κανάτα έχει διαρροές ή άλλες ζημιές	Φθαρμένες λεπίδες κοπής	Επικοινωνήστε με τον προμηθευτή σας ή αντικαταστήστε την κανάτα με το σετ αντικατάστασης 933668.
Εκτεταμένοι κραδασμοί	Φθαρμένη μονάδα μοτέρ ή κανάτα	Επικοινωνήστε με τον προμηθευτή σας ή αντικαταστήστε την κανάτα με το σετ αντικατάστασης 933668.
Η συσκευή δεν κόβει ομοιόμορφα	Οι λεπίδες κοπής έχουν υποστεί ζημιά	Επικοινωνήστε με τον προμηθευτή σας ή αντικαταστήστε την κανάτα με το σετ αντικατάστασης 933668.
Η συσκευή λειτουργεί μόνο όταν χρησιμοποιείται ο διακόπτης παλμικής λειτουργίας	Η μονάδα ισχύος είναι ελαττωματική	Επικοινωνήστε με τον προμηθευτή σας

Ηλεκτρικό Διάγραμμα (μοντέλα μηχανικού ελέγχου)



Τεχνικές προδιαγραφές

Τάση και συχνότητα λειτουργίας: 220-240V-50/60Hz

Μέγιστη ισχύς \approx 1680 W

Διαστάσεις: 270x250x(Y)550 mm

Χωρητικότητα: 2,5 λίτρα

Καθαρό βάρος: περίπου 5,5 kg

Ταχύτητα περιστροφής χωρίς φορτίο (σαλ):

- Ελάχιστο: 16,000 +/- 10%

- Μέγιστο: 24,800 +/- 10%

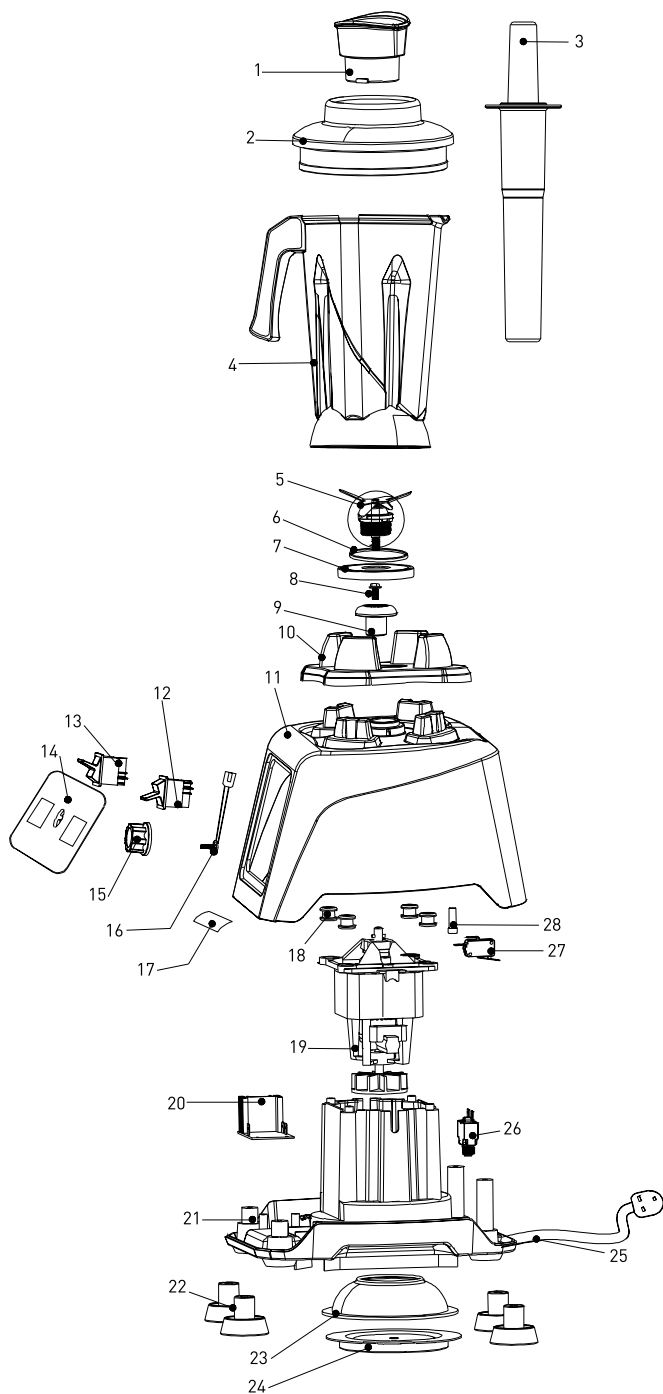
Επίπεδο θορύβου: >85dB

Κατηγορία προστασίας: Κατηγορία I

Υλικό κανάτας: Tritan (230213), PC (230718)



Διευρυμένο σχέδιο και λίστα τμημάτων



GR



Αριθμός σχεδίου	Περιγραφή	Αριθμός εξαρτήματος	Ποσότητα	Σημείωση
1	Διαφανές πώμα	δπκ	1	Διαθέσιμο ως 933787
2	Σετ καπακιού	933787	1	Συμπεριλαμβανομένου του εξαρτήματος 1
3	Εξάρτημα πίεσης τροφών	933794	1	
4	Σετ δοχείου	933688	1	Συμπεριλαμβανομένων των εξαρτημάτων 1, 2, 4, 5, 6, 7
5	Μονάδα κοπής	933800	1	
6	Εξάρτημα στεγανοποίησης μονάδας κοπής	933817	1	
7	Παξιμάδι	933824	1	
8	Βίδα M4x6	δπκ	1	Διαθέσιμο σε 933831
9	Συμπλέκτης	933831	1	Συμπεριλαμβανομένου του εξαρτήματος 8
10	Εξάρτημα συγκράτησης κανάτας	933848	1	
11	Περίβλημα	δ/υ	1	
12	Διακόπτης παλμού	917091	1	
13	Διακόπτης ενεργοποίησης / απενεργοποίησης ON/OFF	917060	1	
14	Πίνακας ελέγχου	δ/υ	1	
15	Διακόπτης ποτεσιόμετρου	933893	1	
16	Ποτεσιόμετρο	933909	1	
17	Ετικέτα προειδοποίησης	δ/υ	1	
18	Αποσβεστήρες	δπκ	4	
19	Μοτέρ	933916	1	Συμπεριλαμβανομένου του εξαρτήματος 18
20	Πλακέτα PCB	933855	1	Συμπεριλαμβάνεται πλακέτα PCB φίλτρου ήχου
21	Εσωτερικό περίβλημα	δ/υ	1	
22	Πλαστικά πόδια	933862	4	Πωλούνται ανά τεμάχιο
23	Εκτροπέας αερισμού	δ/υ	1	
24	Κάλυμμα εκτροπέα αερισμού	δ/υ	1	
25	Καλώδιο τροφοδοσίας	933923	1	
26	Προστατευτικό υπερφόρτωσης	933930	1	
27	Μικροδιακόπτης	207093	1	
28	Πίρος	δ/υ	1	

Σημείωση:

δ/υ = δεν υπάρχει δπκ = δεν πωλείται χωριστά

Εγγύηση

Οποιοδήποτε ελάττωμα επηρεάζει τη λειτουργικότητα της συσκευής που γίνεται προφανές δύο χρόνια μετά την αγορά της, θα διορθώνεται με δωρεάν επισκευή ή αντικατάσταση, αρκεί η συσκευή να έχει χρησιμοποιηθεί και συντηρηθεί σύμφωνα με τις οδηγίες και να μην έχει γίνει κατάχρηση ή λανθασμένη χρήση της με οποιονδήποτε τρόπο. Δε χίγονται τα νόμιμα δικαιώματά σας. Εάν η συσκευή υποστηρίζεται

από εγγύηση, δηλώστε πού και πότε έχει αγοραστεί και συμπεριλάβετε την απόδειξη αγοράς (π.χ. απόδειξη λιανικής πώλησης).

Σύμφωνα με την πολιτική μας για τη συνεχή εξέλιξη των προϊόντων μας, διατηρούμε το δικαίωμα να αλλάξουμε το προϊόν, τη συσκευασία και τις προδιαγραφές τεκμηρίωσής του χωρίς προειδοποίηση.



Απόρριψη & Περιβάλλον

Η συσκευή, μετά το πέρας της διάρκειας ζωής της, δεν πρέπει να απορρίπτεται ως οικιακό απόρριμμα. Πρέπει να απορρίπτεται, με δική σας ευθύνη, σε καθορισμένο σημείο συλλογής. Η μη τήρηση αυτού ενδέχεται να τιμωρείται σύμφωνα με τους ισχύοντες κανονισμούς για τη διάθεση των απορριμμάτων. Η χωριστή συλλογή και ανακύκλωση αυτής της συσκευής κατά τη στιγμή της απόρριψης βοηθά στη διατήρηση των φυσικών πόρων και

εξασφαλίζει την ανακύκλωσή της με τρόπο που προστατεύει την ανθρώπινη υγεία και το περιβάλλον. Για περισσότερες πληροφορίες σχετικά με το πού μπορείτε να απορρίψετε τη συσκευή για ανακύκλωση, επικοινωνήστε με την τοπική εταιρεία συλλογής απορριμμάτων. Οι κατασκευαστές και οι εισαγωγείς δεν αναλαμβάνουν την ευθύνη ανακύκλωσης, επεξεργασίας και οικολογικής διάθεσης, είτε άμεσα είτε μέσω δημόσιου συστήματος.

ΣΕΡΒΙΣ ΕΛΛΑΔΟΣ:

Τηλ.: 213 0 998989 (10 γραμμές)

info@pks-hendi.com









Tools for Chefs

Hendi B.V.

Innovatielaan 6
62-45 XW De Klomp, The Netherlands
Tel: +31 317 681 040
Email: info@hendi.eu

Hendi Polska Sp. z o.o.

ul. Firmowa 12
62-023 Robakowo, Poland
Tel: +48 61 658 7000
Email: info@hendi.pl

Hendi Food Service Equipment GmbH

Ehring 15
5112 Lamprechtshausen, Austria
Tel: +43 6274 200 10 0
Email: office.austria@hendi.eu

Hendi Food Service Equipment Romania S.R.L.

Str. 13 decembrie 94A, Hala 14
Braşov, 500164, Romania
Tel: +40 268 320330
Email: office@hendi.ro

PKS Hendi South East Europe SA

5 Metsovou Str.
18346 Moschato, Athens, Greece
Tel: +30 210 4839700
Email: info@pks-hendi.com

Hendi Italia S.R.L.

Via Leonardo da Vinci 4
39100 Bolzano (BZ), Italy
Tel: +39 800 727 438
Email: office.italy@hendi.eu

Hendi HK Ltd.

1208, 12/F Exchange Tower
33 Wang Chiu Road, Kowloon Bay, Hong Kong
Tel: +852 2154 2618
Email: info-hk@hendi.eu

Find Hendi on internet:

www.hendi.eu
www.facebook.com/HendiToolsforChefs
www.linkedin.com/company/hendi-food-service-equipment-b.v.
www.youtube.com/HendiEquipment

- Changes, printing and typesetting errors reserved.
- Änderungen und Druckfehler vorbehalten.
- Wijzigingen en drukfouten voorbehouden.
- Producent zastrzega sobie prawo do zmian oraz błędów drukarskich w instrukcji.
- Variations et fautes d'impression réservés.

- Errori di cambiamenti, di stampa e di impaginazione riservati.
- Drepturi rezervate cu privire la modificări și greșeli de imprimare.
- Изменения, печати и верстки ошибки защищены.
- Με επιφύλαξη αλλαγών, λαθών εκτύπωσης και στοιχειοθεσίας.